

DOORS

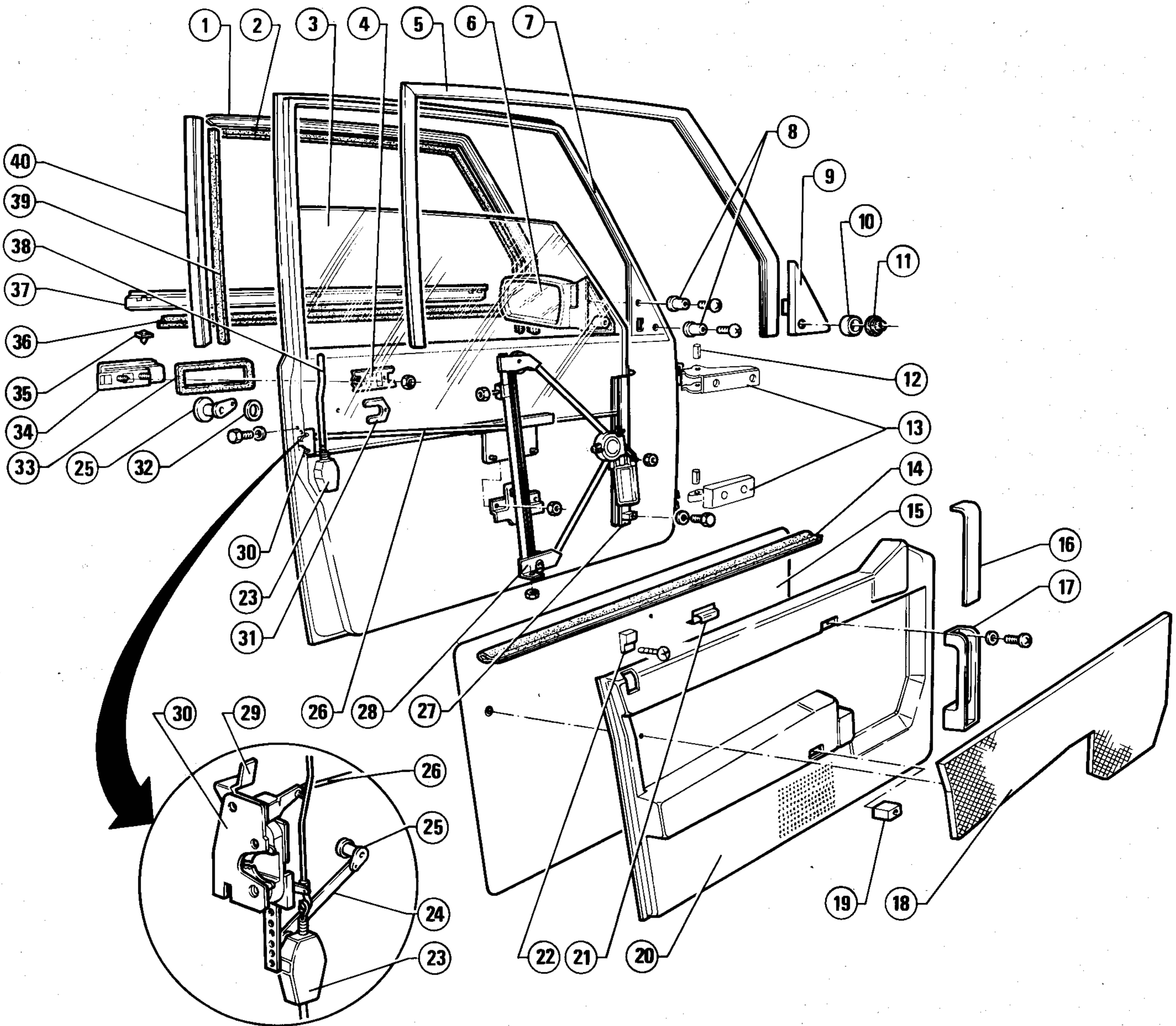
GROUP 55

CONTENTS

FRONT DOORS	55-2	Door assembly	55-9
Door assembly	55-3	Internal finishing panel	55-9
[Internal finishing panel	55-3	Fixed window	55-10
Window regulating device and window	55-4	Window regulating device and window	55-10
Door lock	55-5	Handle	55-11
Door lock block	55-5	Door lock	55-11
Handle	55-6	Seals	55-12
Rearview mirror	55-6	SERVICE DATA AND SPECIFICATIONS	55-12
Seals	55-6	Tightening torques	55-12
REAR DOORS	55-8		

DOORS

FRONT DOORS



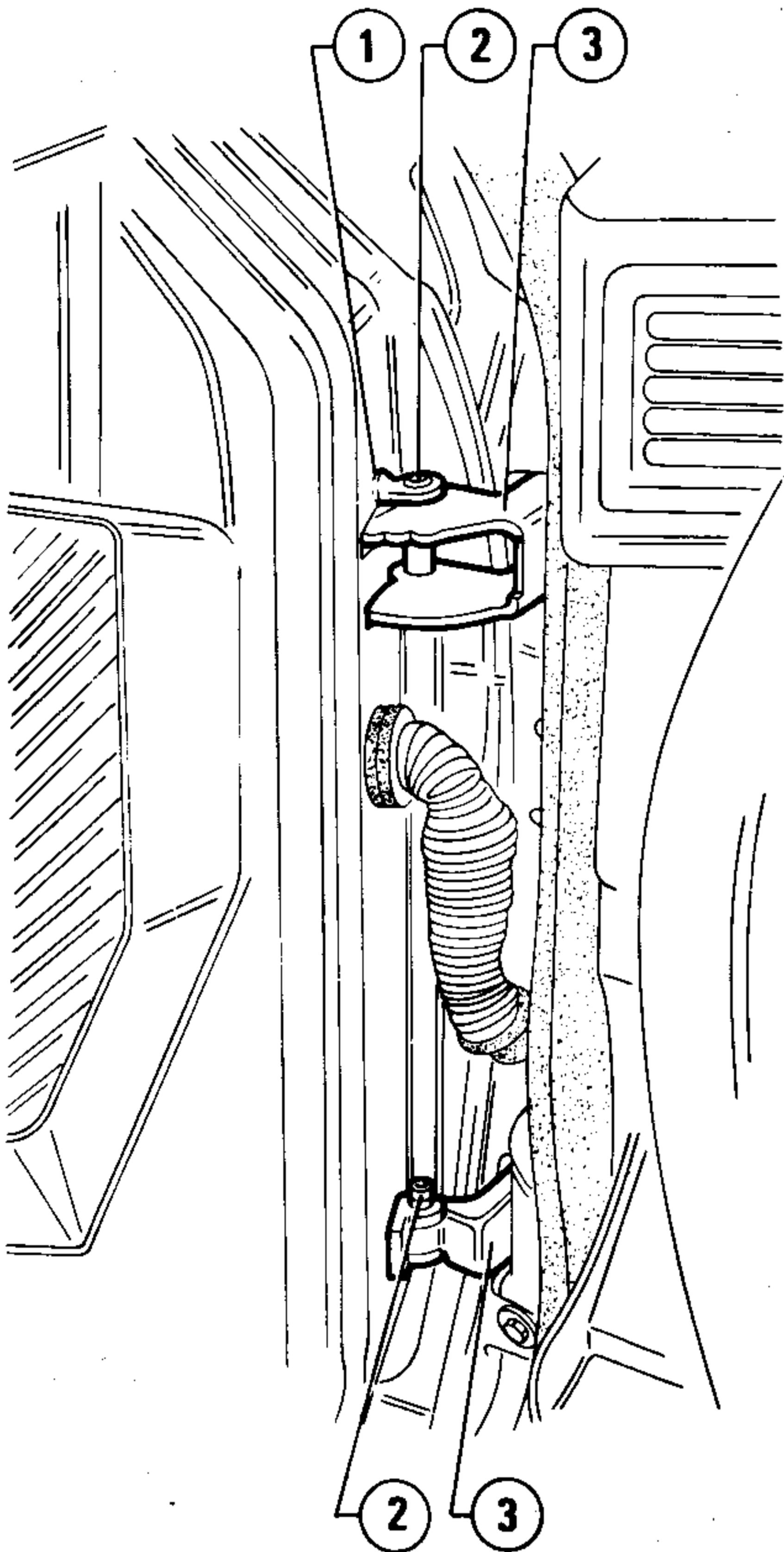
- | | | |
|--|-----------------------------------|------------------------------|
| 1 Molding | 15 Sealing screen | 30 Lock |
| 2 Sealing rubber | 16 Handle cover | 31 Plate clamping door block |
| 3 Window | 17 Handle | 32 Gasket |
| 4 Handle protective sheet | 18 Panel cover | 33 Gasket |
| 5 Window flock seal with inner molding | 19 Door release pushbutton | 34 Handle |
| 6 Rearview mirror | 20 Panel | 35 Plastic hook |
| 7 Door | 21 Clip | 36 Outer weatherstrip |
| 8 Spacers | 22 Door lock control | 37 External plastic cover |
| 9 Finishing triangle | 23 Door lock electric device | 38 Door lock control rod |
| 10 Ring nut | 24 Rod connecting lock block/lock | 39 Sealing rubber |
| 11 Rubber protection | 25 Door lock | 40 Molding |
| 12 Pin | 26 Door opening control rod | |
| 13 Hinges | 27 Window guide | |
| 14 Inner weatherstrip | 28 Power window device | |
| | 29 Door opening lever | |

DOORS

DOOR ASSEMBLY

REMOVAL AND INSTALLATION

1. Disconnect wiring.
2. Support the door and remove the caps containing grease from pins (2) connecting hinges (3). Use a suitable tool to withdraw the pins, then remove the door.



- 1 Tie rod
- 2 Pin
- 3 Hinges

3. Install the door by reversing the order of removal.

CAUTION:

Lubricate the pins connecting hinges (3) and tie rod (1) using the appropriate grease. Push into place the special caps containing grease.

4. If door alignment is required, it is necessary, to gain access to the fixing devices securing hinges to front pillar frame. Operate as follows:

- Remove bumper and the windscreen washer liquid tank (refer to Group 75 - Front Bumper).
- Remove the combination lamp (refer to: Group 40 - Front Combination Lamps).

- Remove apron (refer to: Group 75 - Apron).

- Unscrew the screws shown in the figure, securing fender to body, and remove.

- Unscrew the screws securing hinges to pillar, then proceed to door alignment.

- Tighten the screws securing hinges to the prescribed torque.

(T) : Tightening torque

Screws securing hinges to body

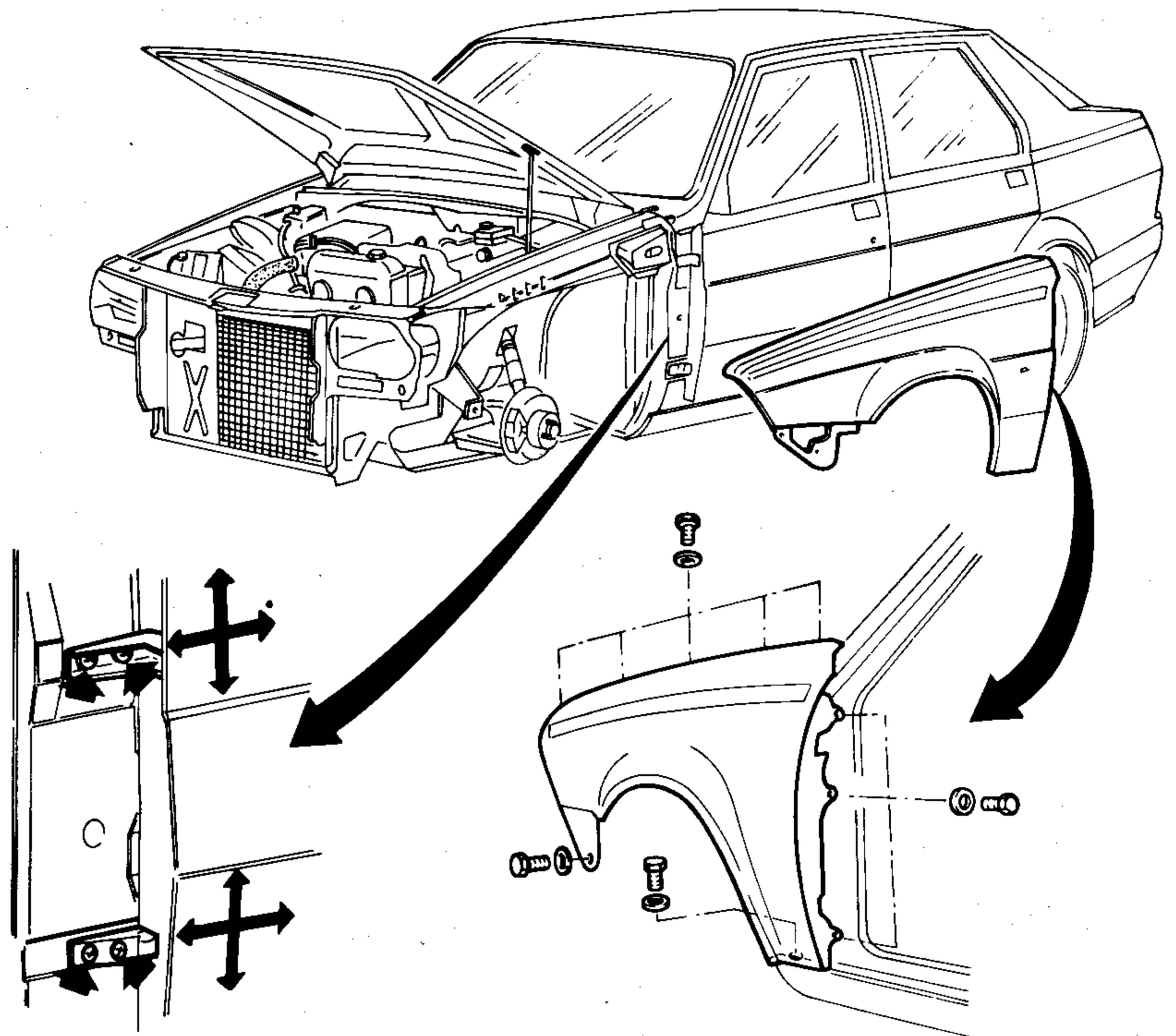
32.8 to 53 N·m

(3.3 to 5.4 kg·m

23.9 to 39 ft·lb)

- Install fender aligning it to door and bonnet.

- Install all components by reversing the order of removal.

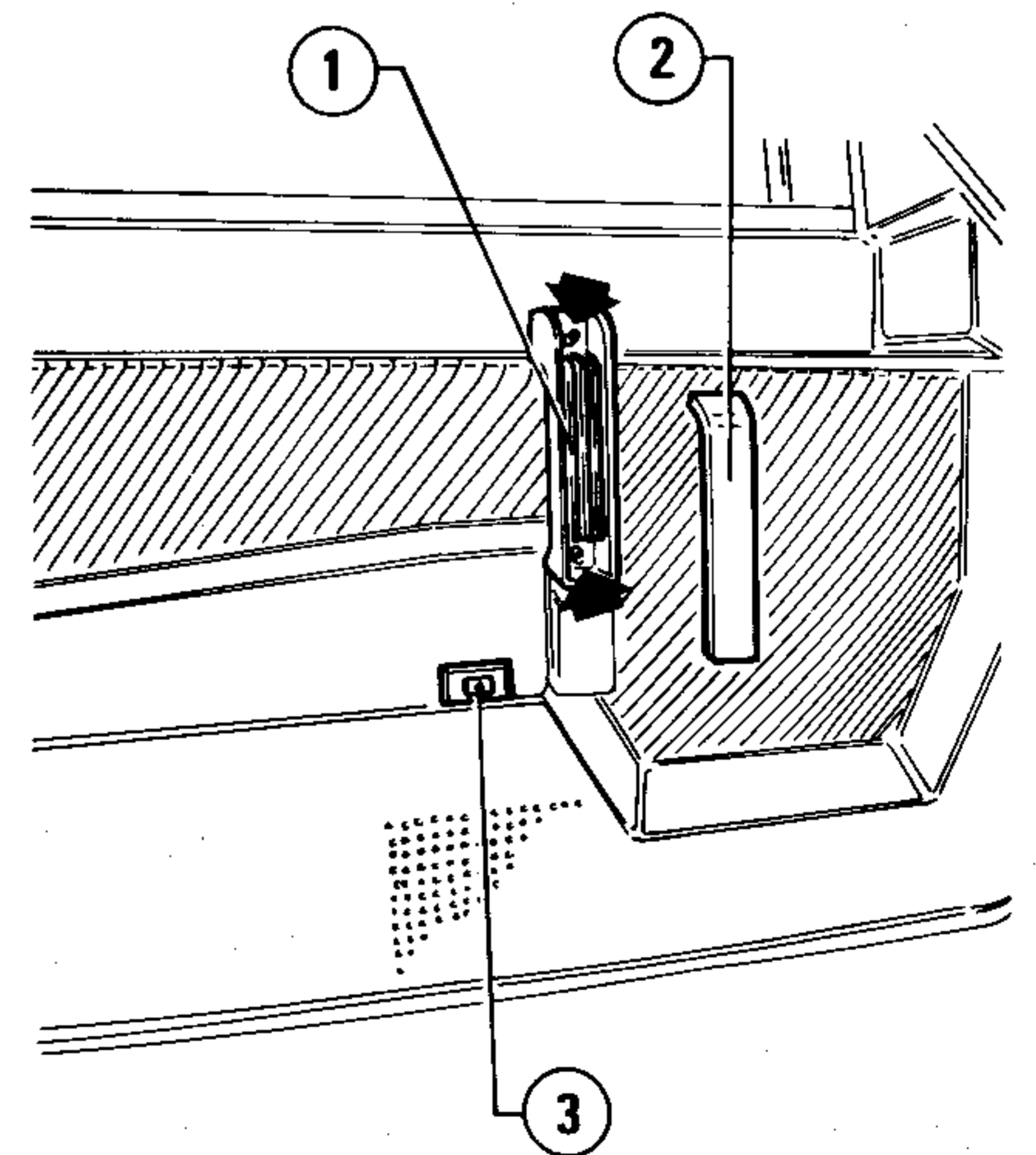


INTERNAL FINISHING PANEL

To remove the plastic rivets, cover the tool tip to prevent damaging body.

REMOVAL AND INSTALLATION

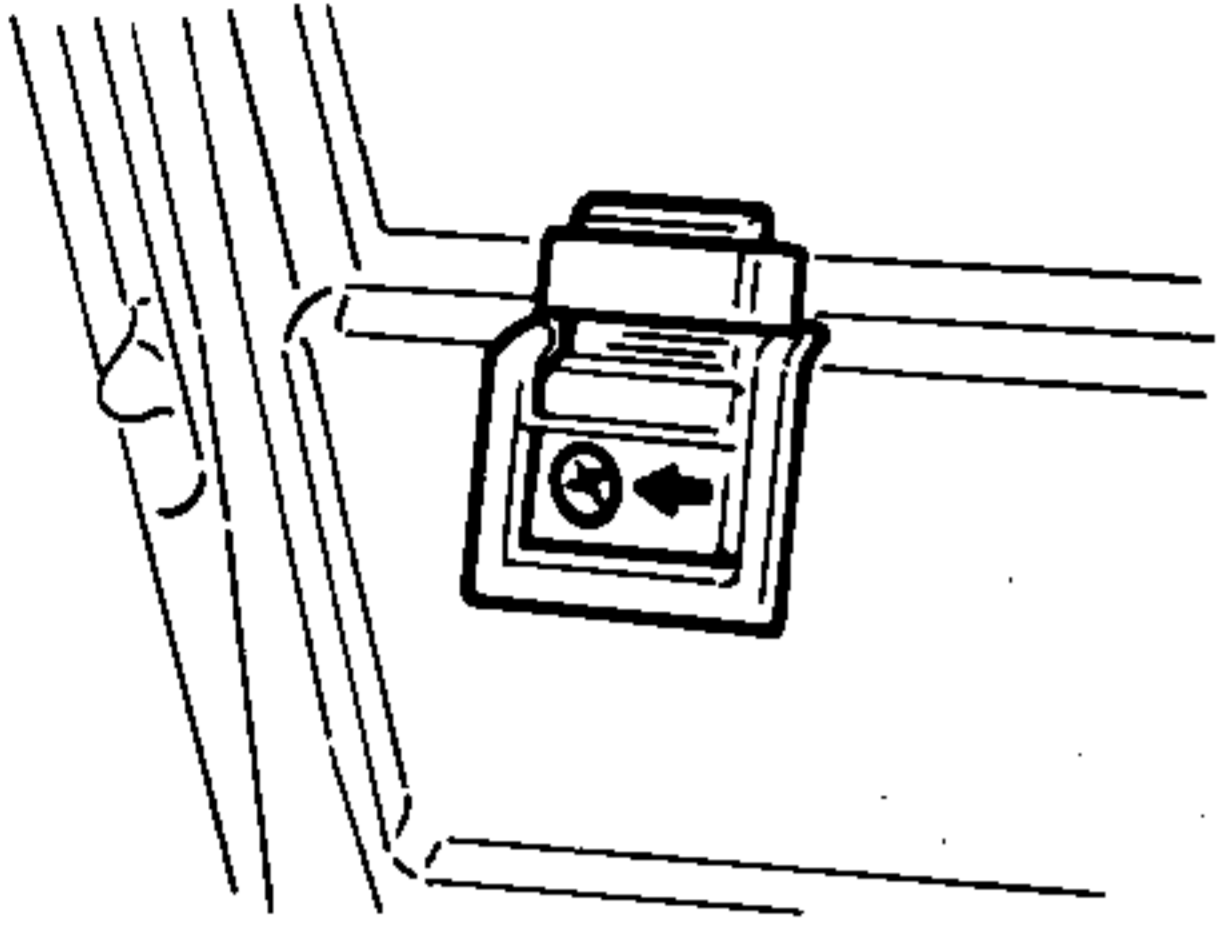
1. Remove cover (2), and unscrew the two screws securing handle (1) to door.
2. Remove pushbutton (3), and disconnect wiring.



- 1 Handle
- 2 Handle cover
- 3 Door release pushbutton

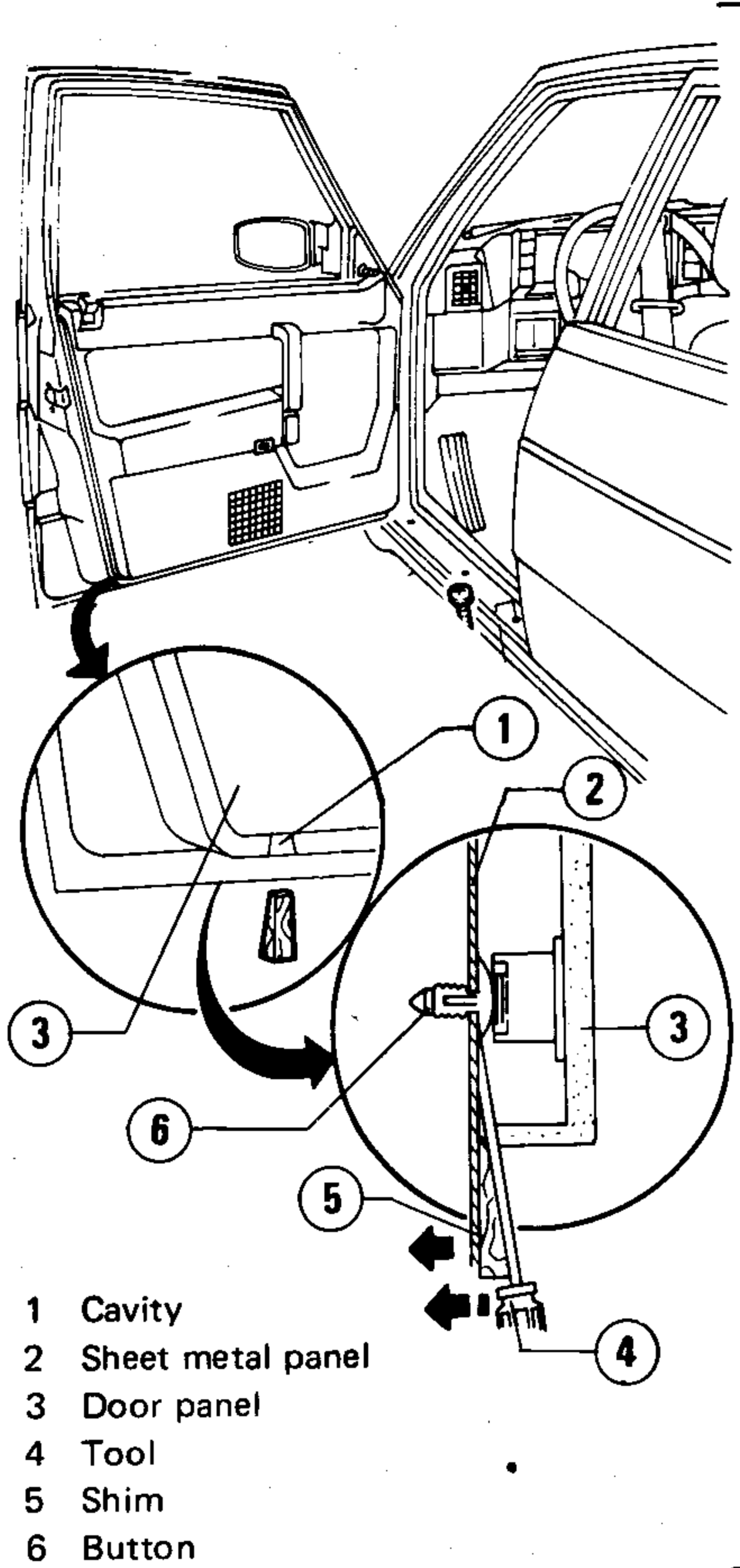
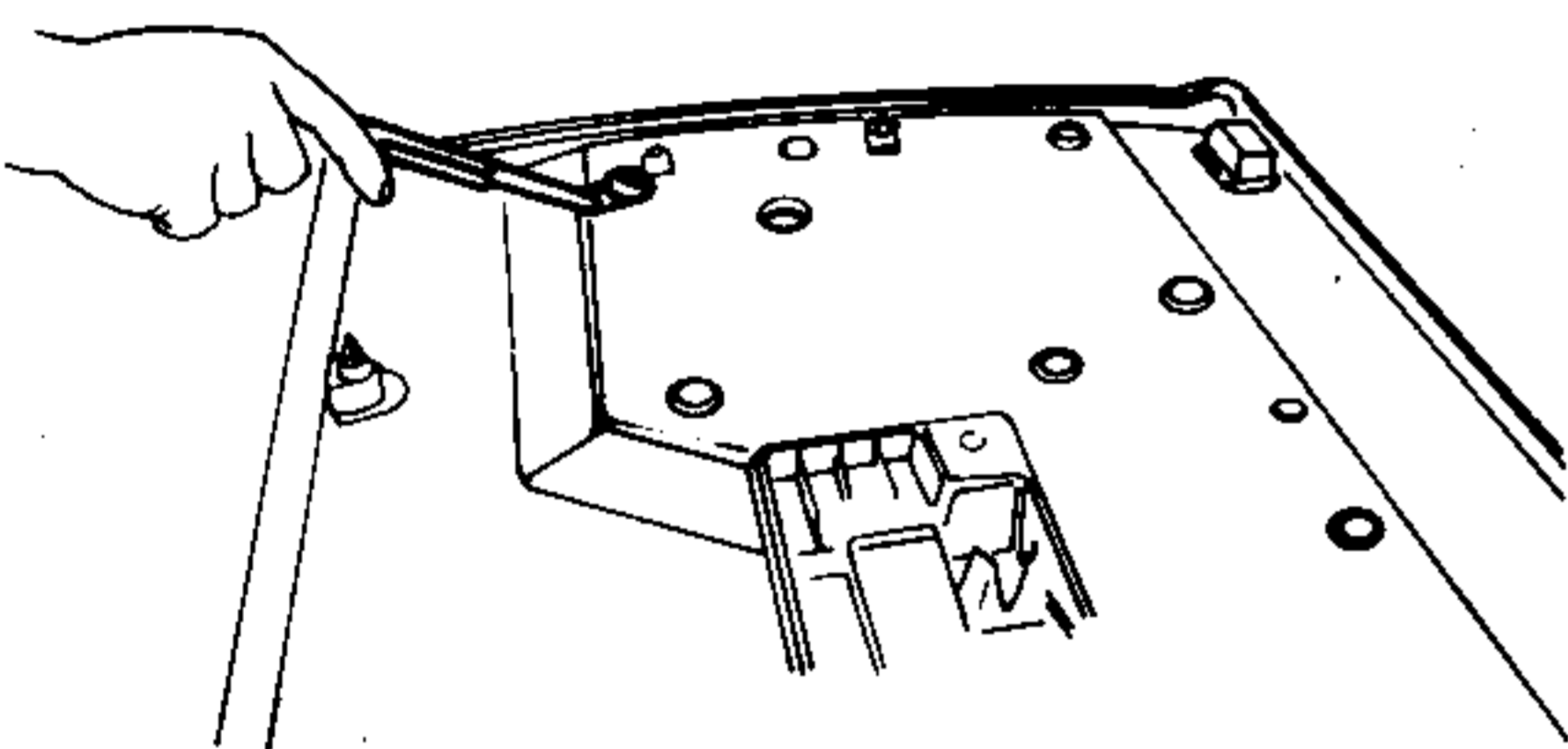
DOORS

3. Lift the protection of the screw securing door lock control, unscrew it, and remove the control.



4. Using a suitable tool, extract the nine plastic rivets securing the panel to door; remove this last by pulling it upwards.

If required, to remove the panel cover, extract the twelve plastic buttons.

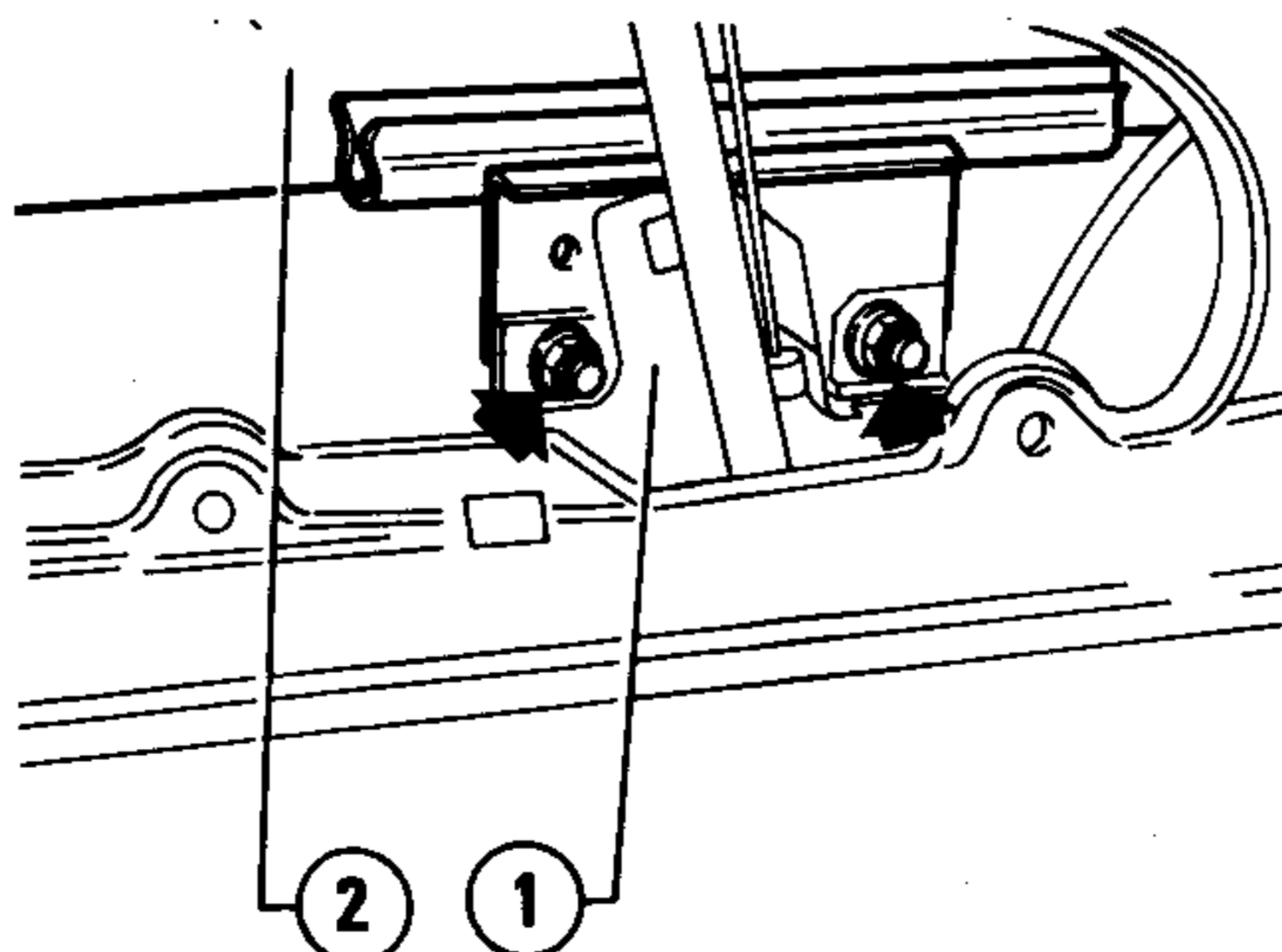


- 1 Cavity
- 2 Sheet metal panel
- 3 Door panel
- 4 Tool
- 5 Shim
- 6 Button

5. Install the panel by reversing the order of removal, checking for correct operation of the door opening control.

WINDOW REGULATING DEVICE AND WINDOW REMOVAL AND INSTALLATION

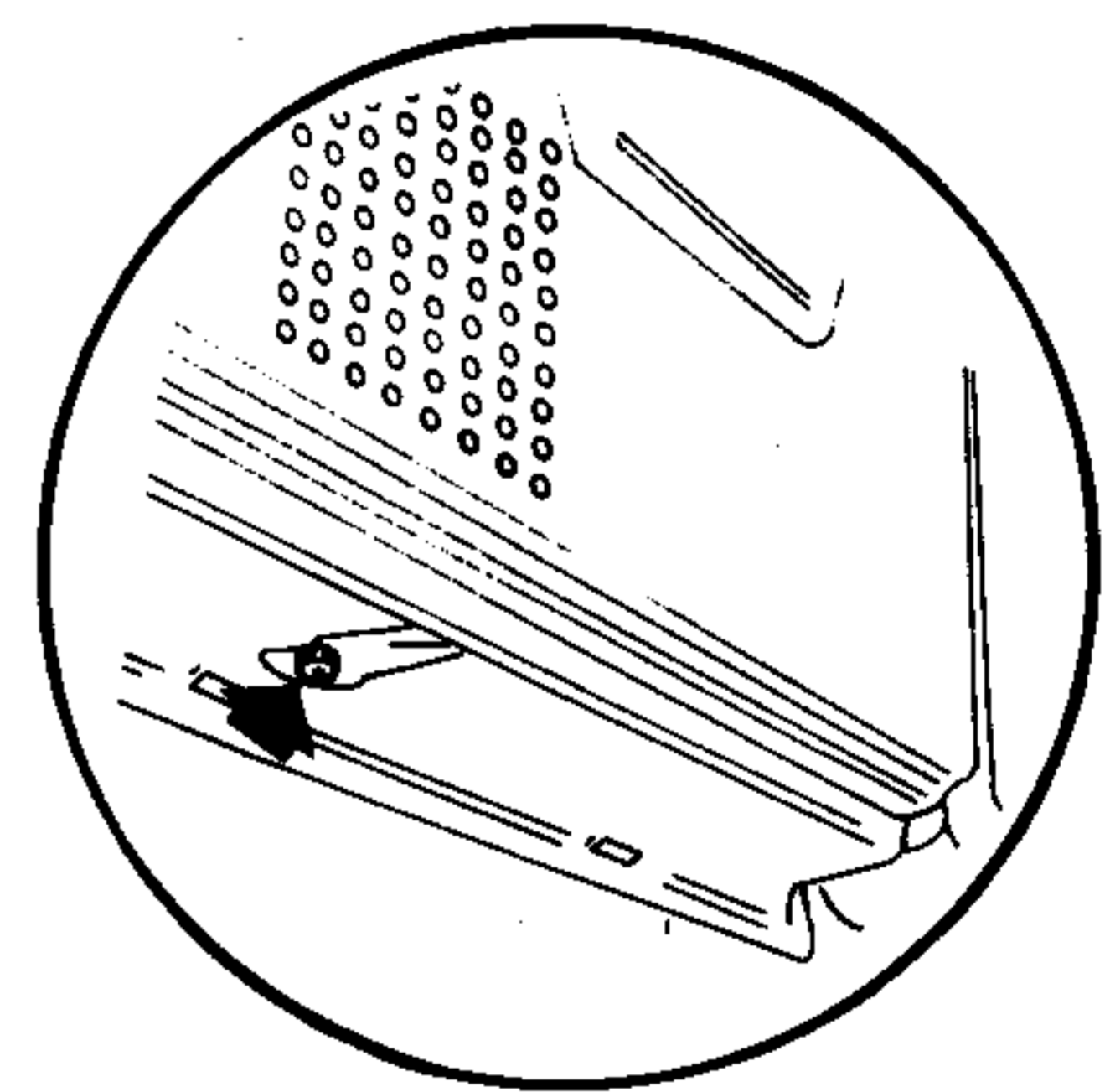
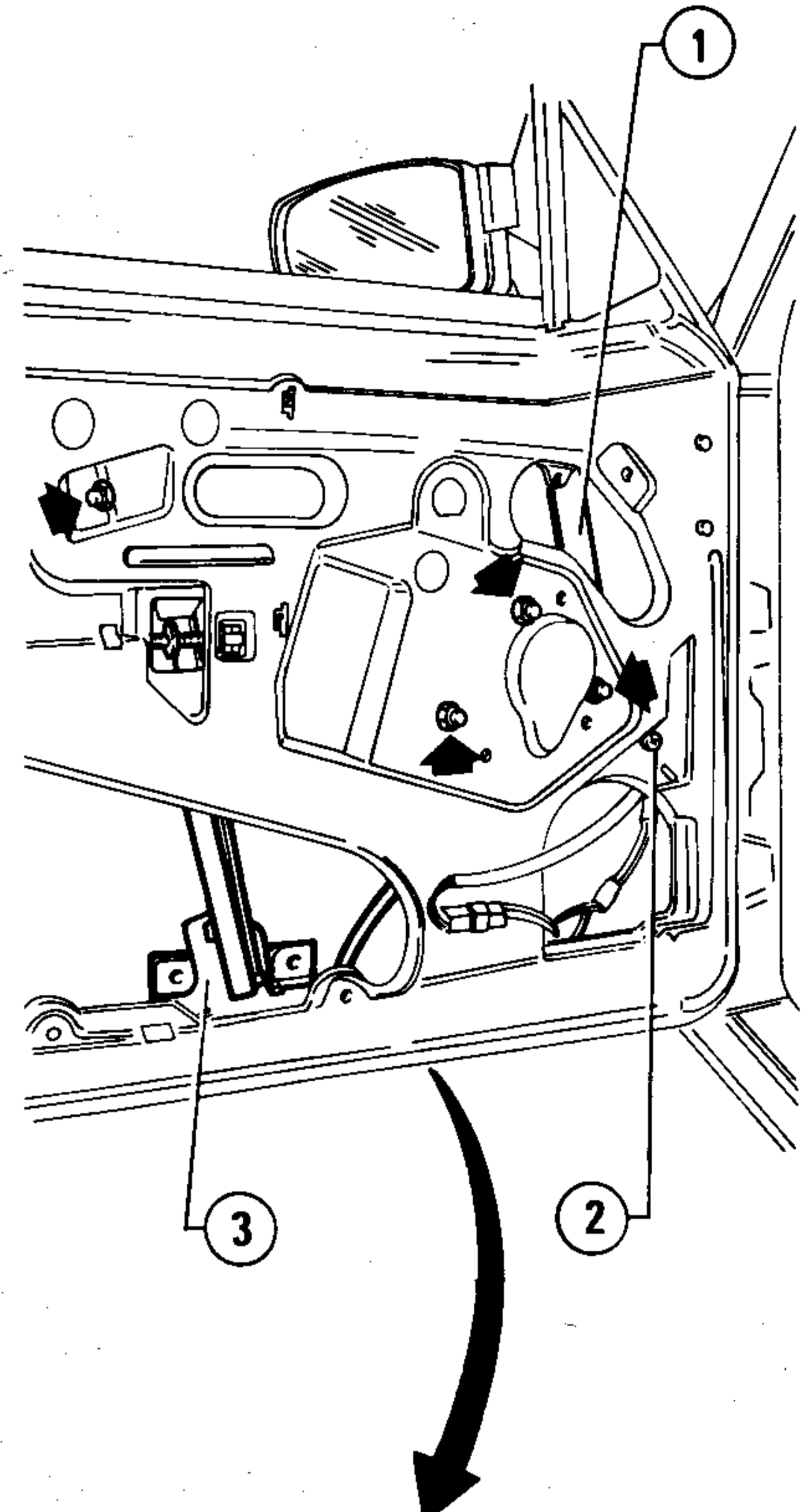
1. Remove door panel and the sealing screen.
2. Lower window ② completely, unscrew the two nuts securing it to the window regulating device ①, and rotate it to remove it from door.



- 1 Window regulating device
- 2 Window

3. Disconnect the power window motor wiring, unscrew the five nuts securing power window device ③ door, and remove it from downwards.

4. If required, unscrew the screw ② securing guide ①, and remove by carefully detaching it from upper slot.



- 1 Window guide
- 2 Screw
- 3 Window regulating device

5. Install the window regulating device by reversing the order of removal.

CAUTION:

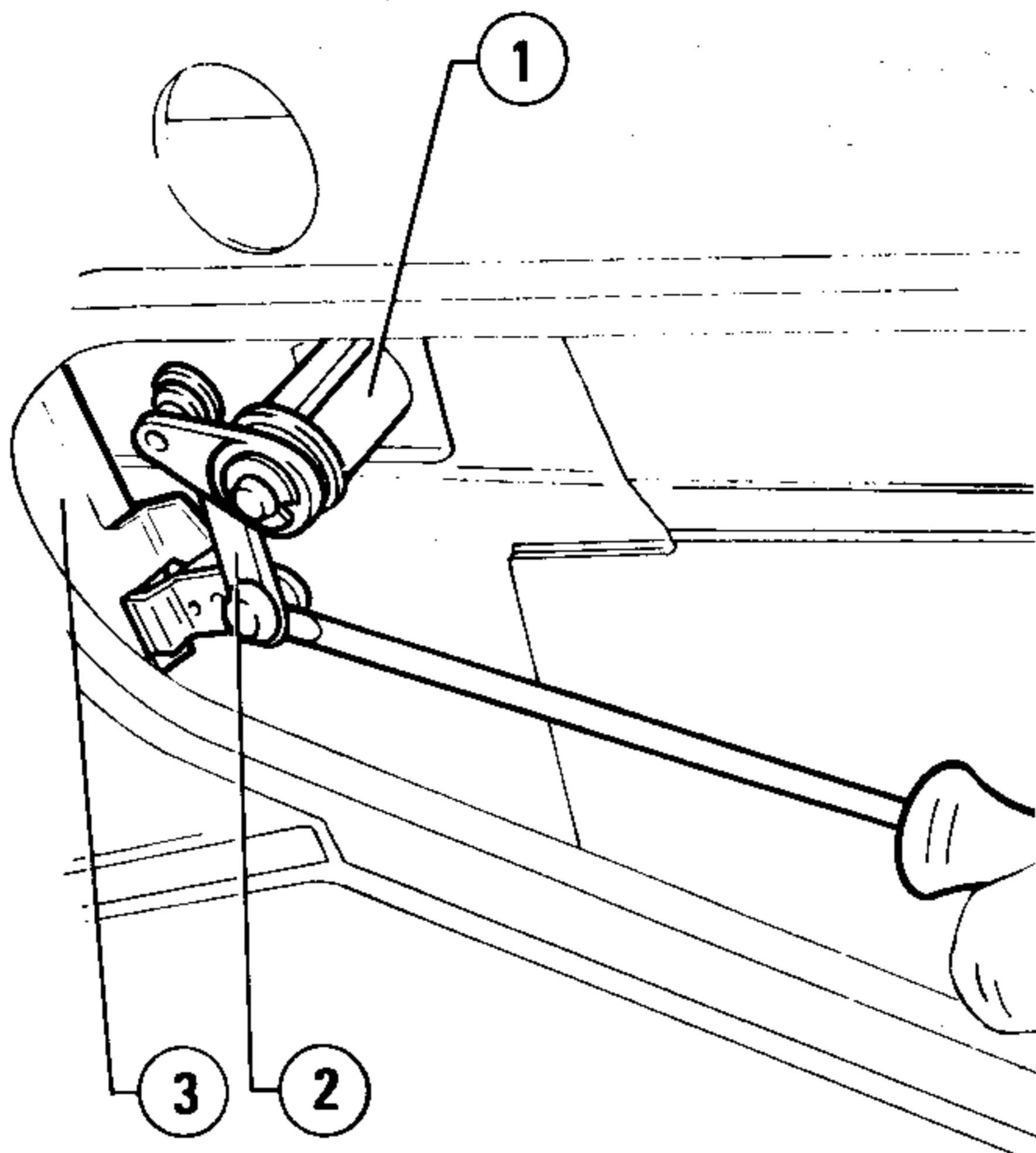
Proceed as indicated below when removing the panel.

- Insert a wooden or plastic shim between the cavity ① on the sheet metal panel and the door panel ③.
- Push the shim towards the outside of the vehicle, and insert a suitable tool under the door panel, taking care to cover the tool with adhesive tape to avoid chipping the paint.
- Position the tool between the sheet metal panel ② and button ⑥, taking care not to insert it in another position, then gradually force it towards the outside of the door.

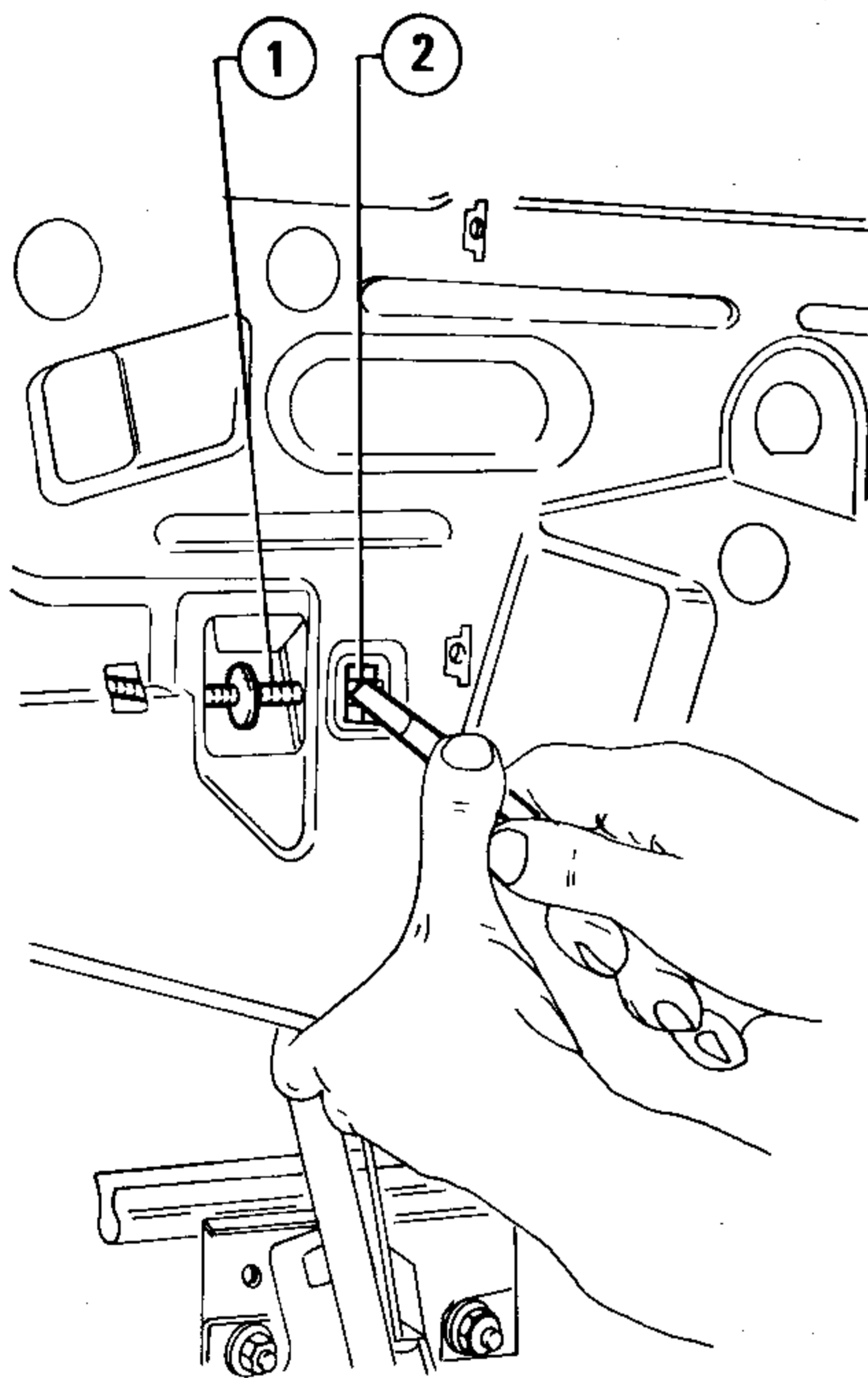
DOOR LOCK

REMOVAL AND INSTALLATION

1. Remove door panel and sealing screen.
2. Lift window completely.
3. Disconnect wiring of both electric door lock device and lock.
4. By means of a screwdriver, detach catch (2) from door.



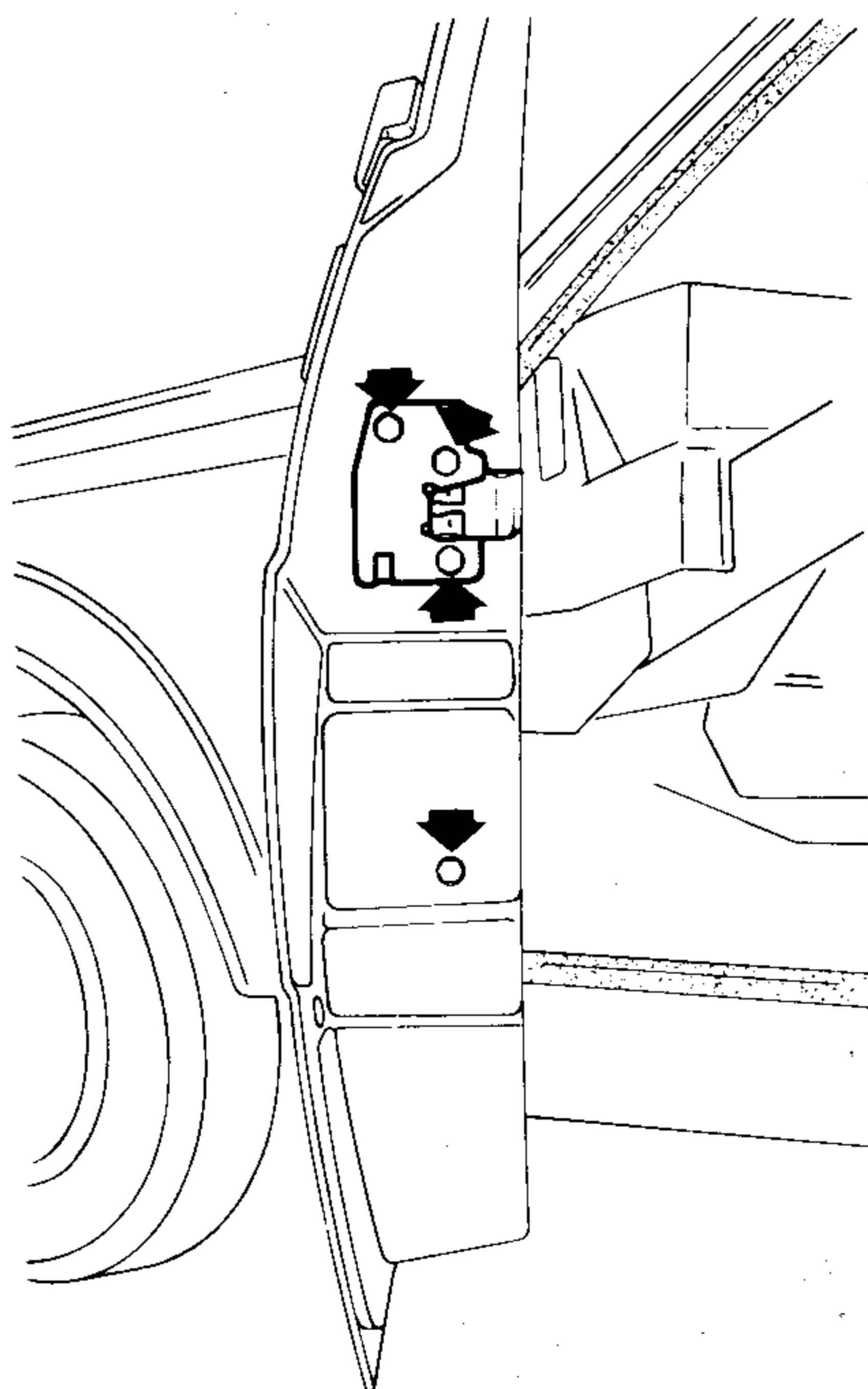
- 1 Lock block
- 2 Rod connecting lock block/lock
- 3 Lock



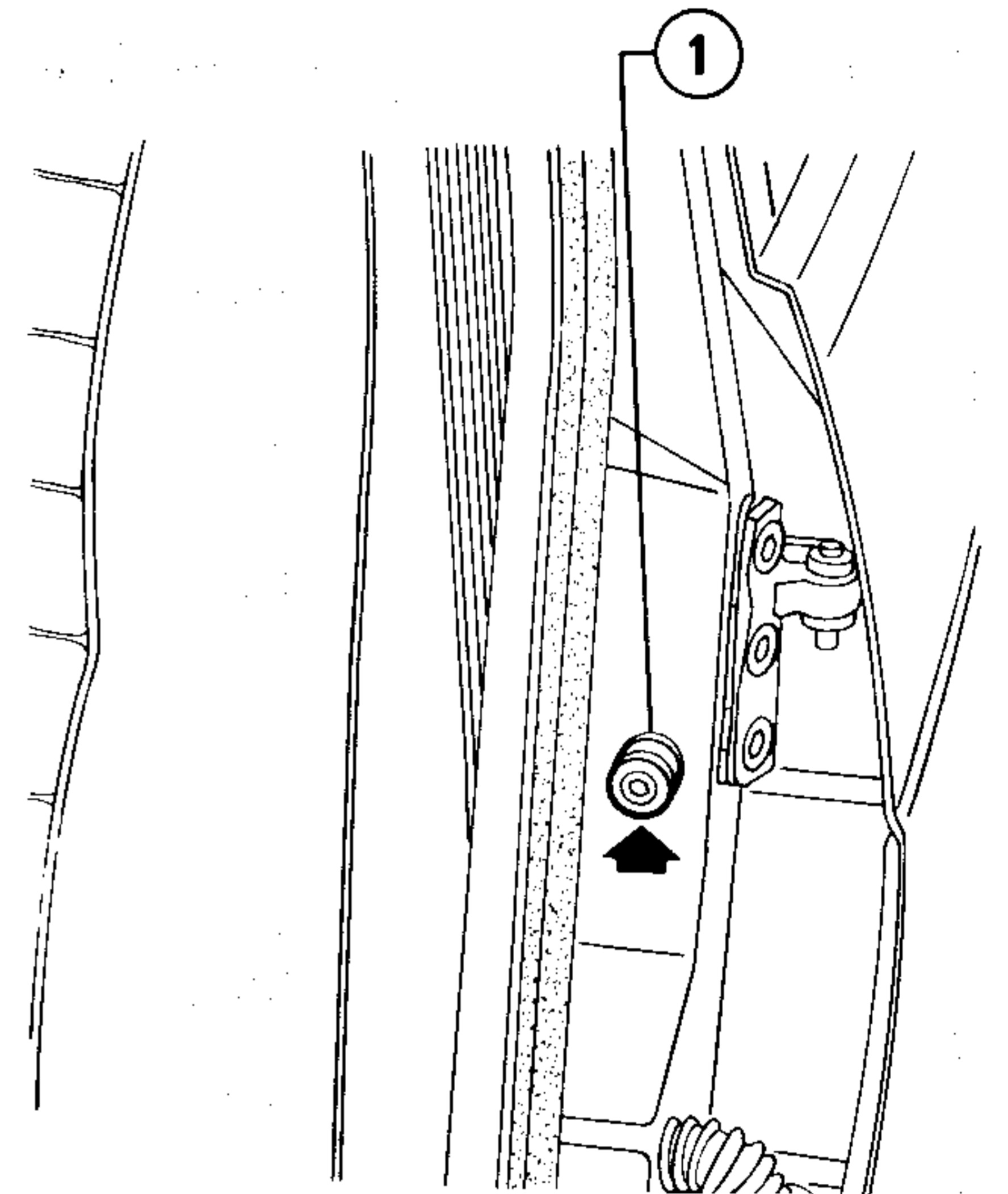
- 1 Door opening control rod
- 2 Plastic catch

5. Release rod (2) from lock (3).

6. Unscrew the four screws securing lock to door, and remove lock.



7. Install lock by reversing the order of removal.
8. Check correct functioning of door opening control and, if required, loosen the screw securing lock striker and move it until obtaining a perfect closing.



- 1 Lock striker

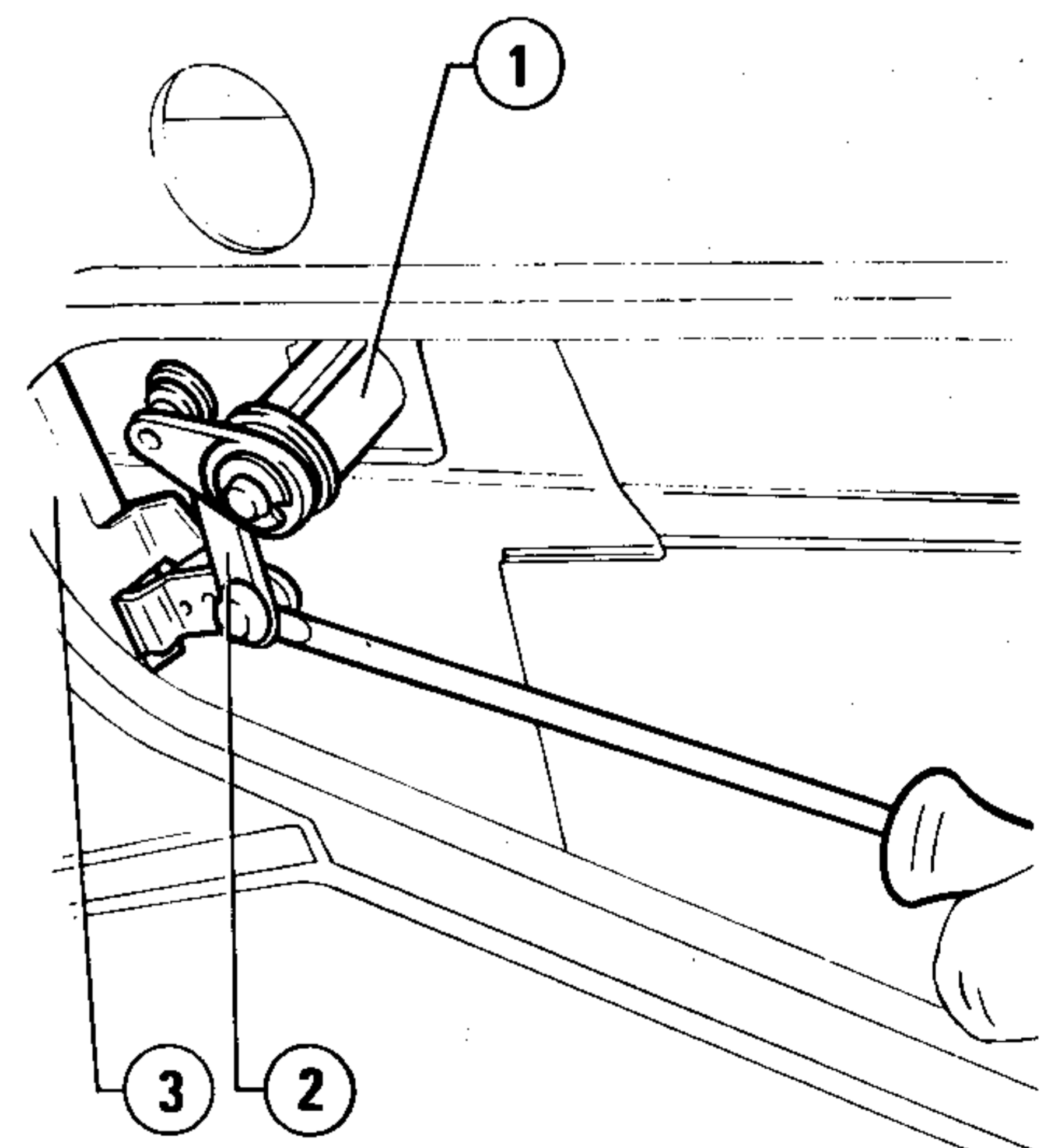
CAUTION:

Lubricate the door lock device with appropriate grease.

DOOR LOCK BLOCK

REMOVAL AND INSTALLATION

1. Remove door panel.
2. Lift window completely.
3. Move the portion of sealing screen covering handle and lock block.
4. Release rod (2) from lock.

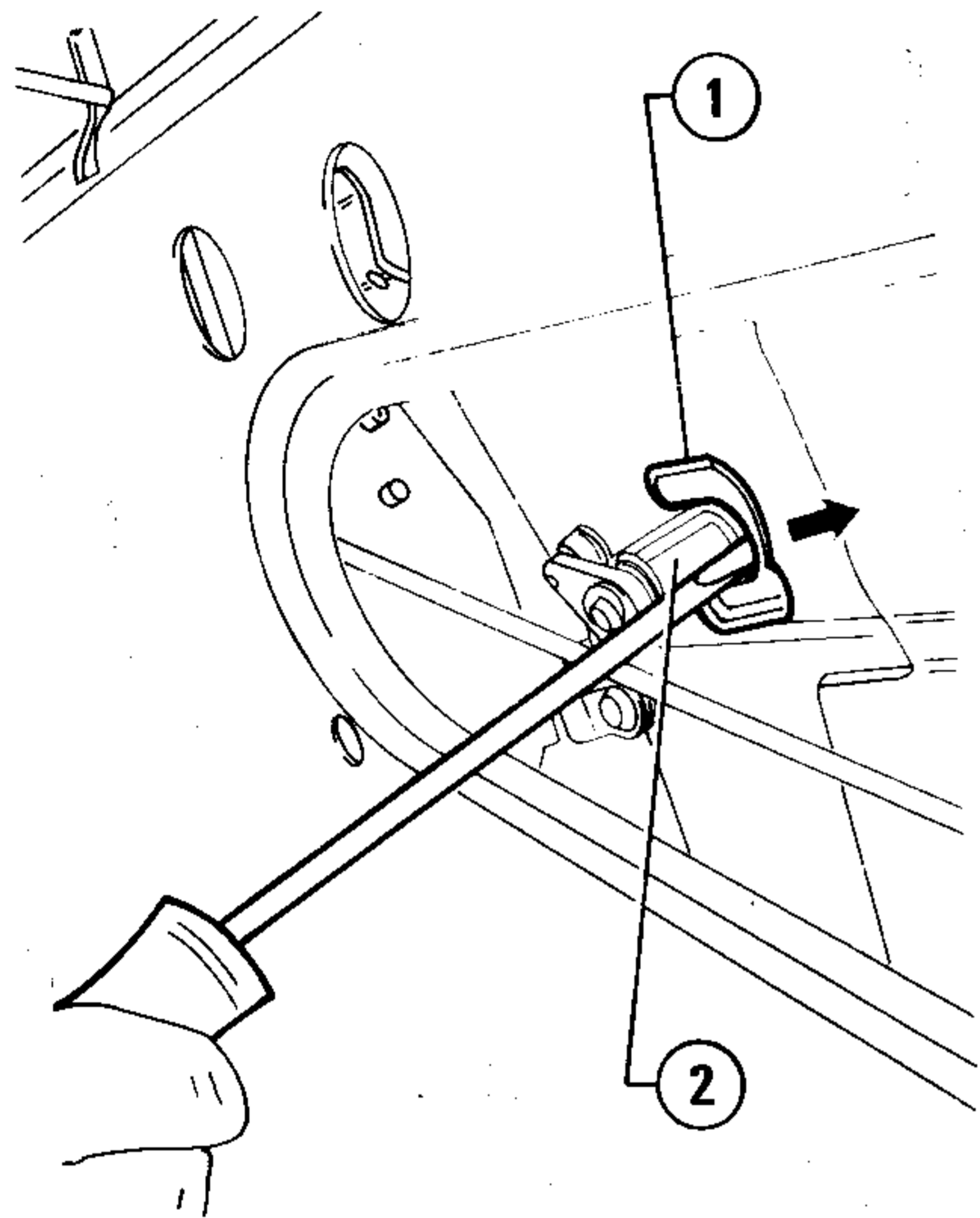


- 1 Door lock block
- 2 Rod connecting lock block-lock
- 3 Lock

DOORS

5. Withdraw plate ① and remove lock block ② together with the gasket underneath.

6. Install the lock block by reversing the order of removal.

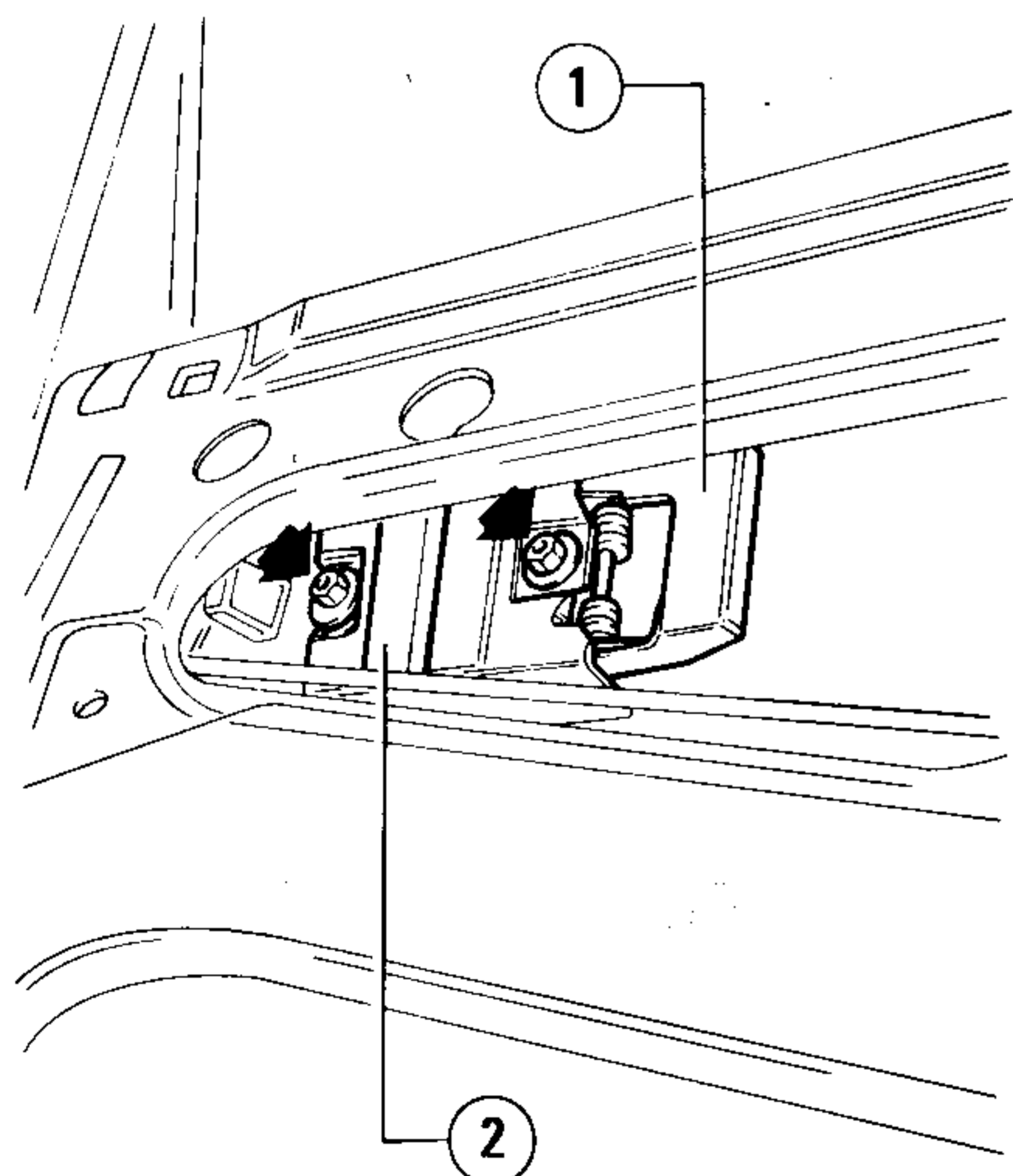


- 1 Plate securing lock block
- 2 Lock block

HANDLE

REMOVAL AND INSTALLATION

1. Remove door panel.
2. Lift window completely.
3. Move the portion of sealing screen covering handle and lock block.
4. Unscrew the two nuts securing handle ① to door, remove handle together with protective sheet ②.



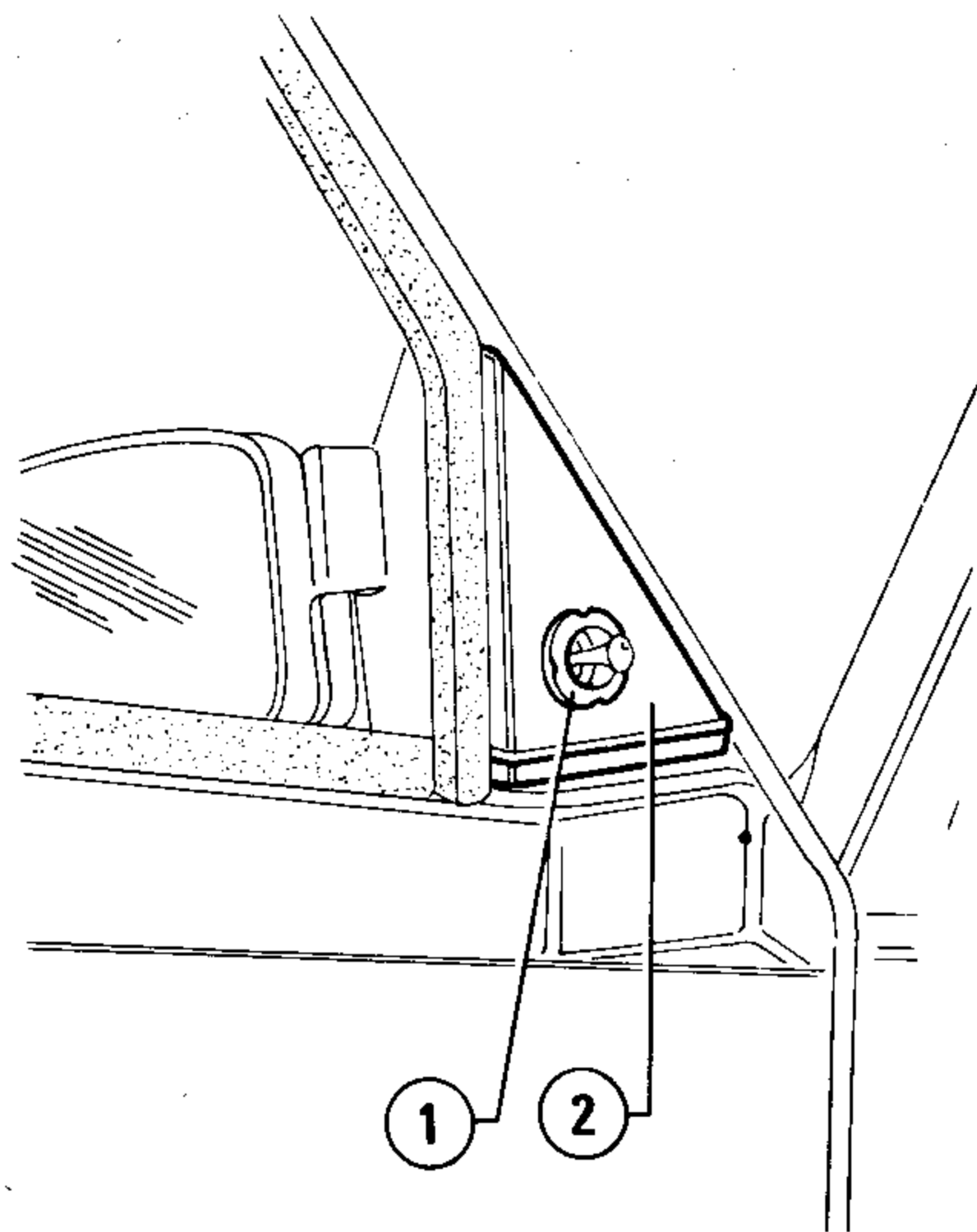
- 1 Handle
- 2 Handle protective sheet

5. Install handle by reversing the order of removal.

REARVIEW MIRROR

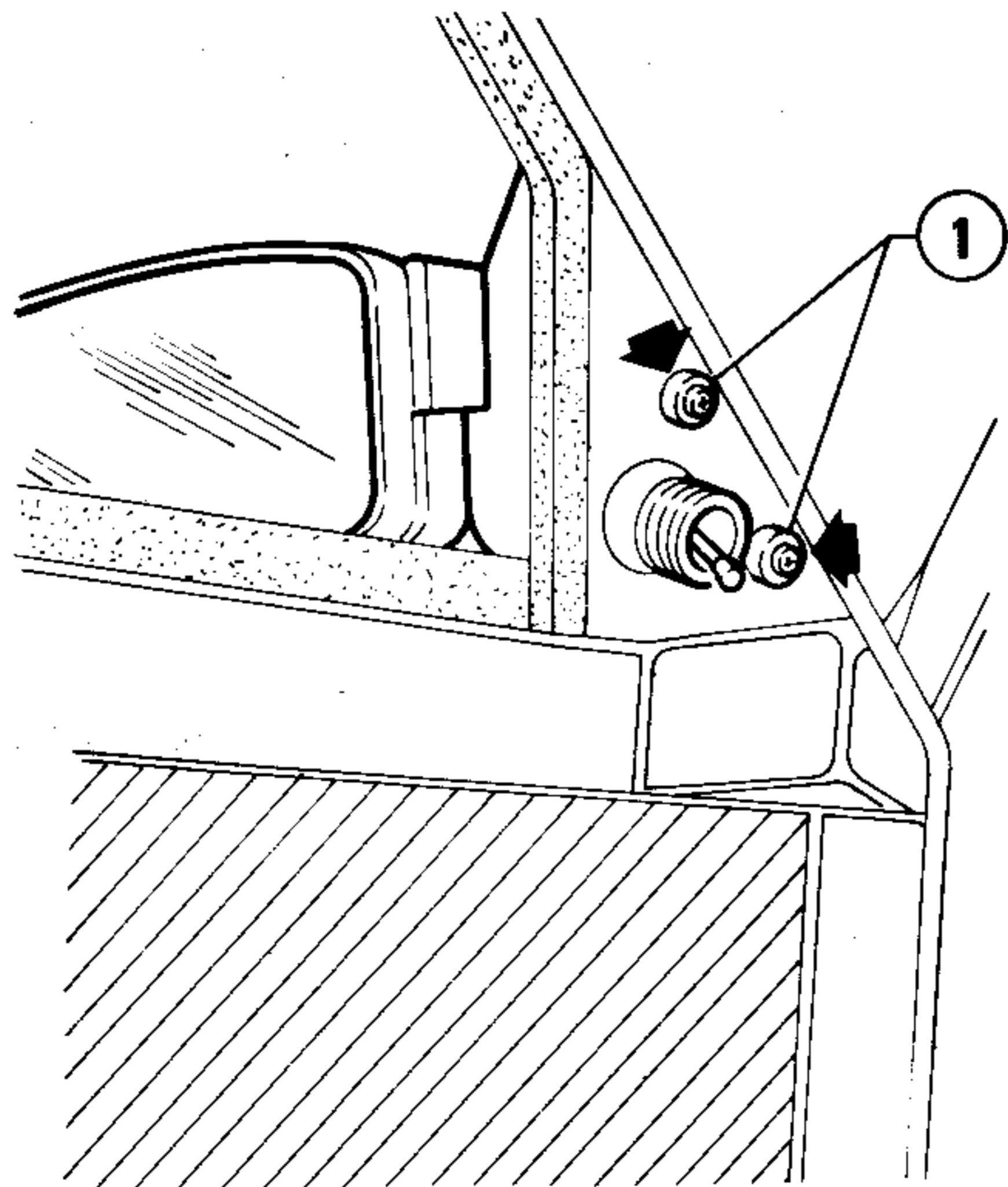
REMOVAL AND INSTALLATION

1. Remove the rubber protection, and unscrew ring nut ①.
2. Remove finishing triangle ②.



- 1 Ring nut
- 2 Finishing triangle

3. Unscrew the two screws securing mirror to door. Remove mirror, and recover spacers ①.



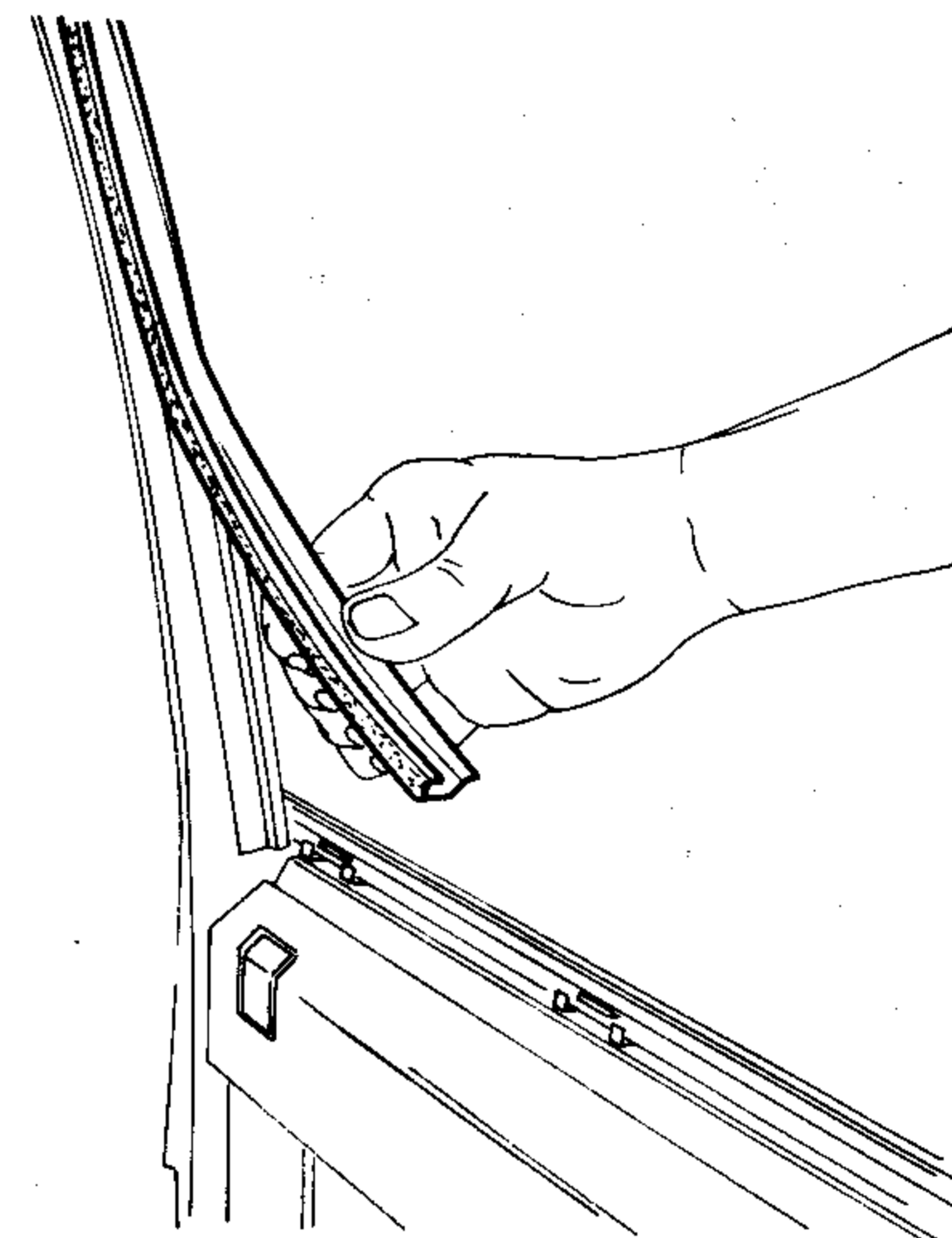
- 1 Spacers

4. Install the rearview mirror by reversing the order of removal.

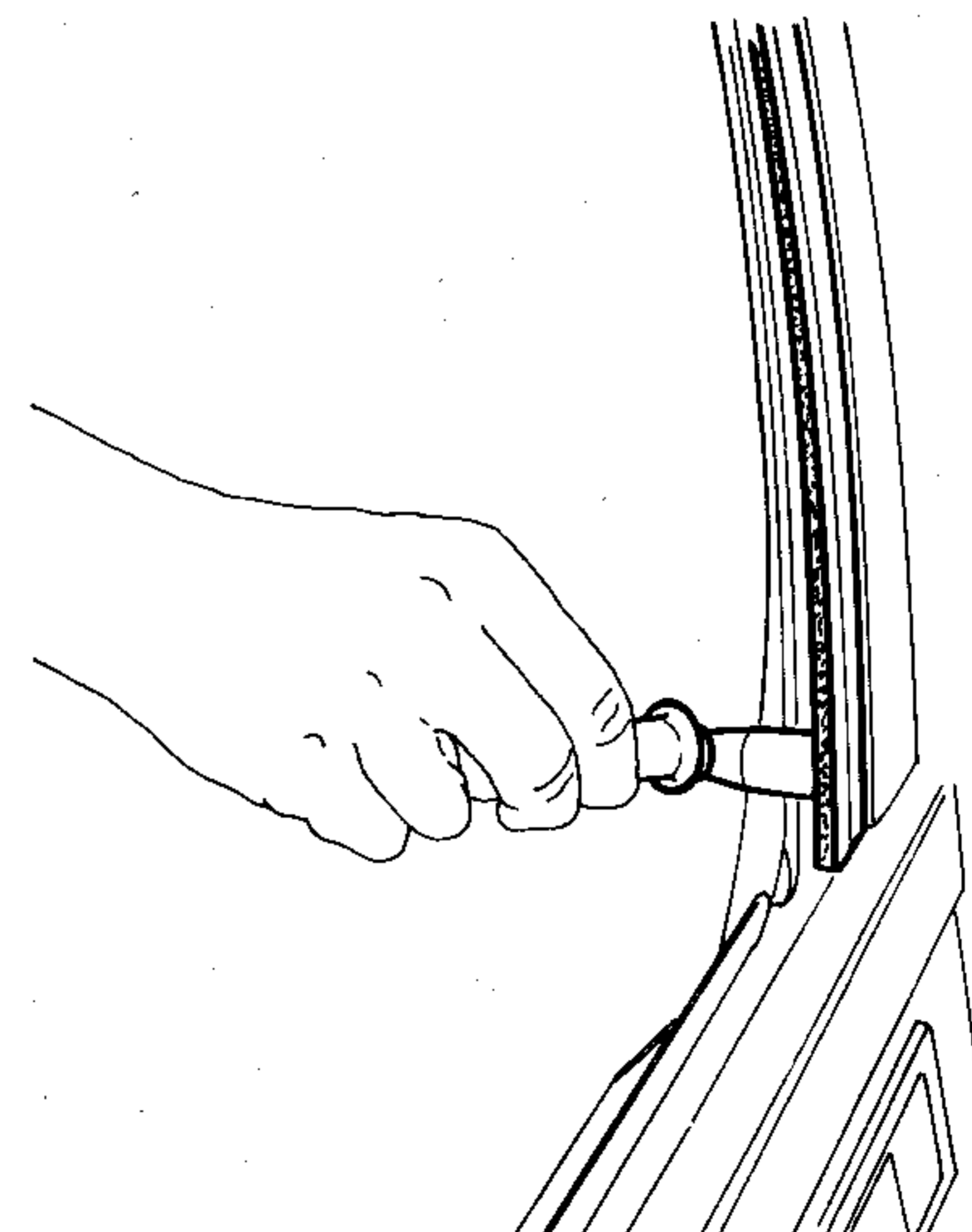
SEALS

REMOVAL AND INSTALLATION

1. Remove window flock seal, with internal molding that has been pushed into place.

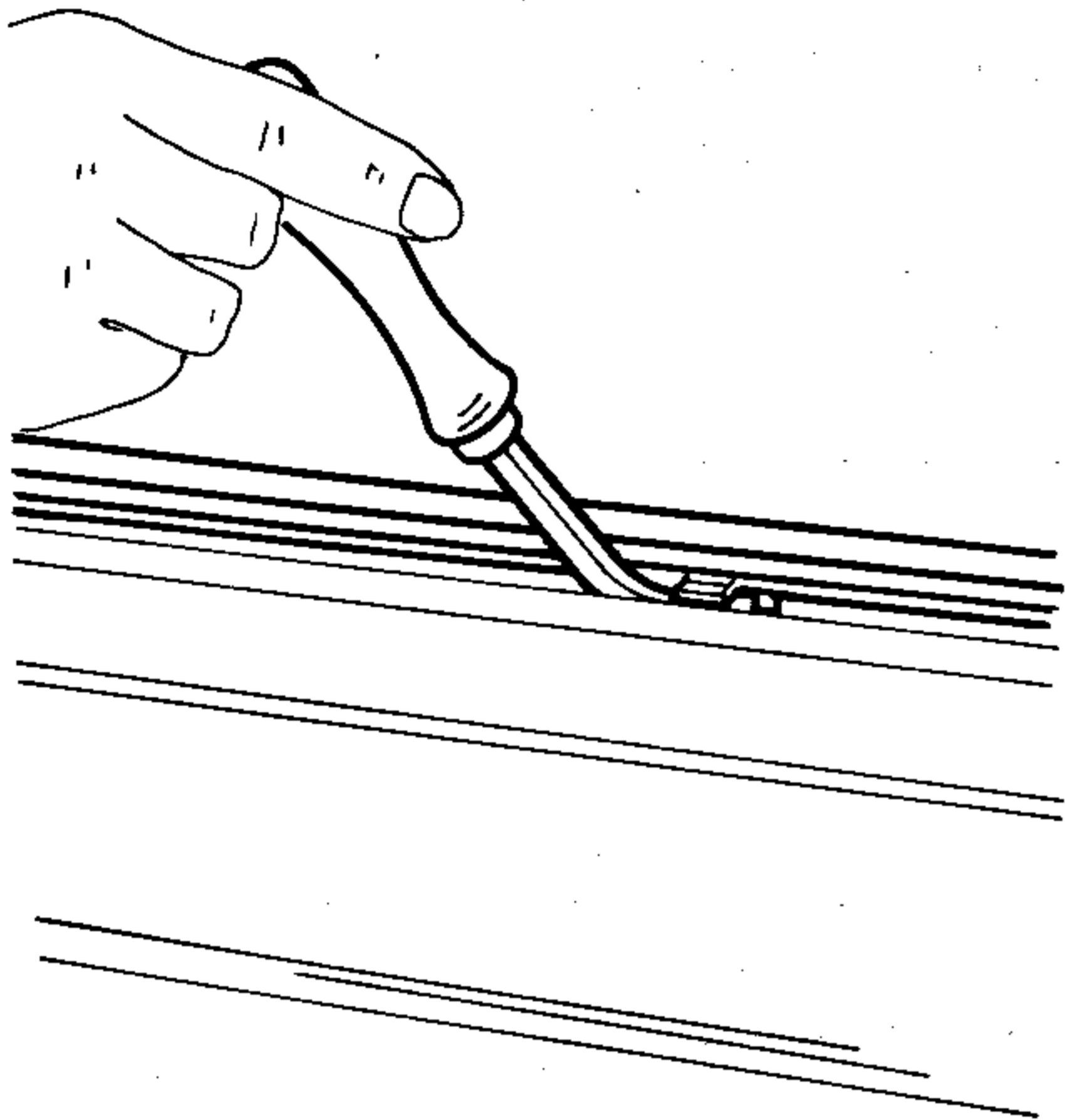


2. Using a suitable tool, remove the two moldings and the sealing rubber underneath.

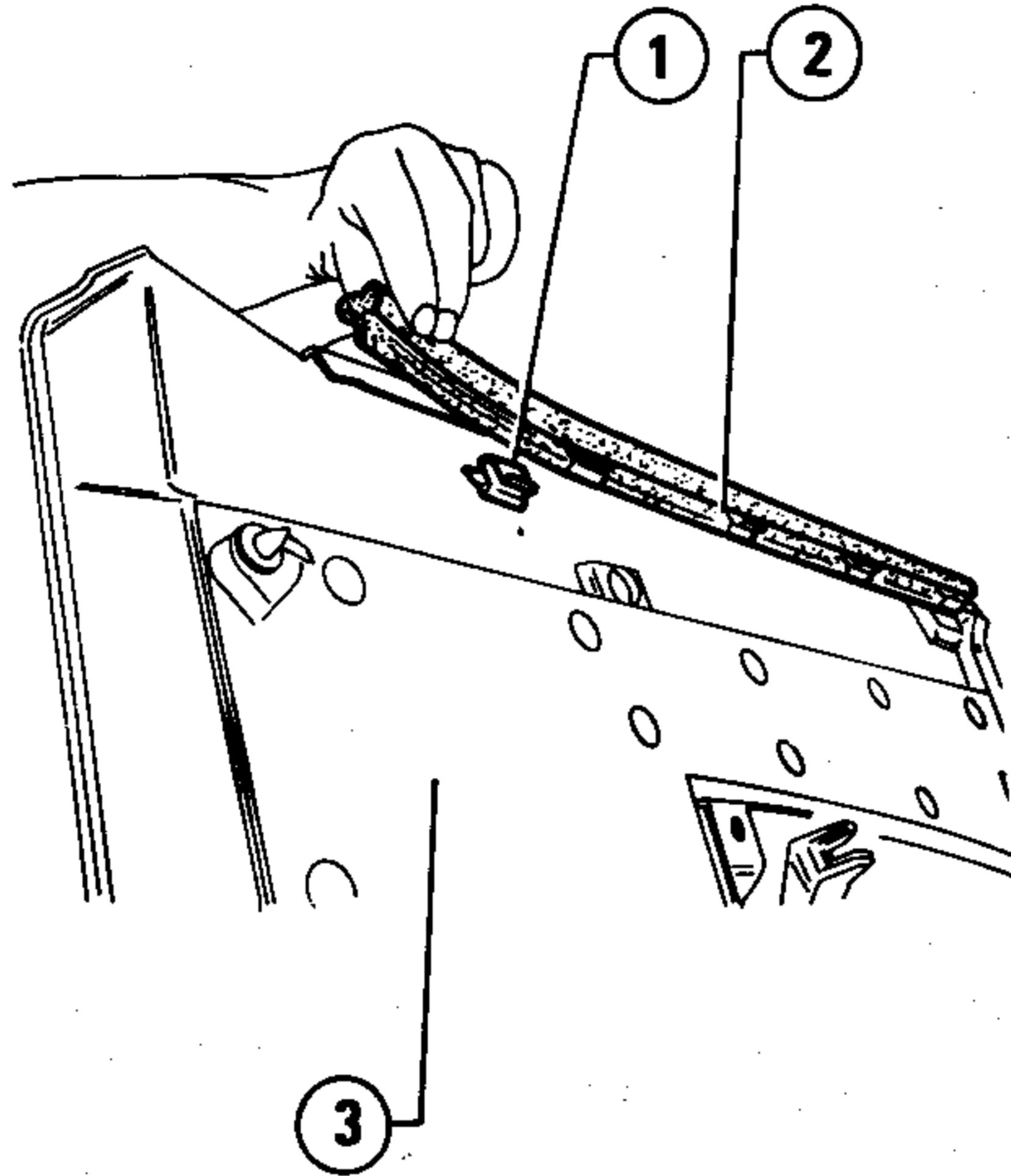


DOORS

3. Remove outer weatherstrip and, using a suitable tool, remove the five plastic catches securing external plastic cover to door. Remove the plastic cover.



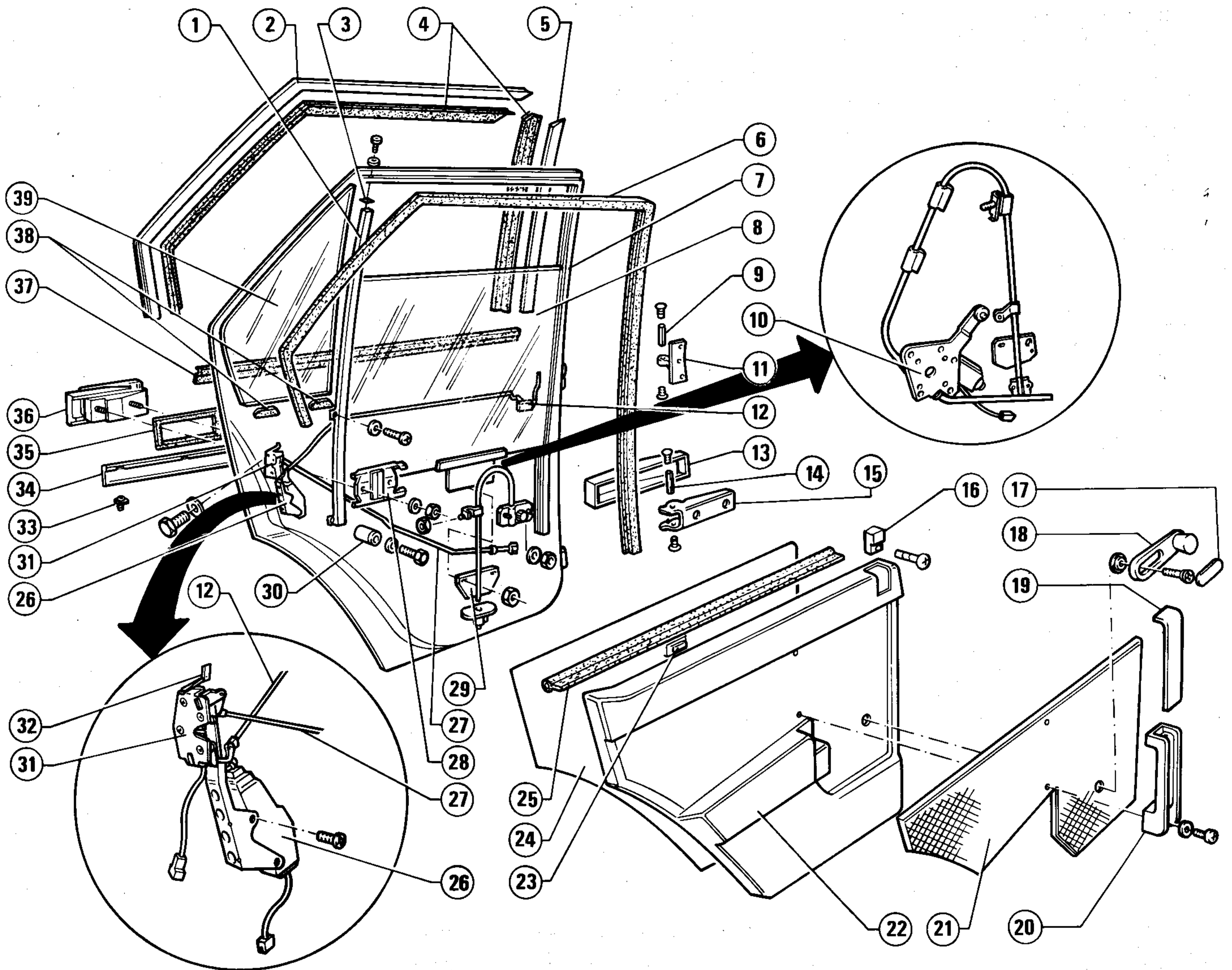
4. Remove door panel and inner weatherstrip (2) by withdrawing the five securing clips (1).



- 1 Clip
- 2 Inner weatherstrip
- 3 Door panel inner side

5. Install seals by reversing the order of removal.

REAR DOORS



- | | | | | | |
|----|-----------------------|----|---------------------------|----|---------------------------------|
| 1 | Fixed window guide | 14 | Pin | 27 | Door opening control rod |
| 2 | External molding | 15 | Hinge with tie rod | 28 | Handle protective sheet |
| 3 | Rubber protection | 16 | Door lock control | 29 | Manual window regulating device |
| 4 | Sealing rubber | 17 | Window winder cover | 30 | Spacer |
| 5 | External molding | 18 | Window winder | 31 | Lock |
| 6 | Window flock seal | 19 | Handle cover | 32 | Door opening lever |
| 7 | Door | 20 | Handle | 33 | Plastic hook |
| 8 | Window | 21 | Panel cover | 34 | External plastic cover |
| 9 | Pin | 22 | Panel | 35 | Rubber gasket |
| 10 | Power window device | 23 | Clip | 36 | Handle |
| 11 | Hinge | 24 | Sealing screen | 37 | Outer weatherstrip |
| 12 | Door lock control rod | 25 | Inner weatherstrip | 38 | Rubbers |
| 13 | Hinge protection | 26 | Electric door lock device | 39 | Fixed window |

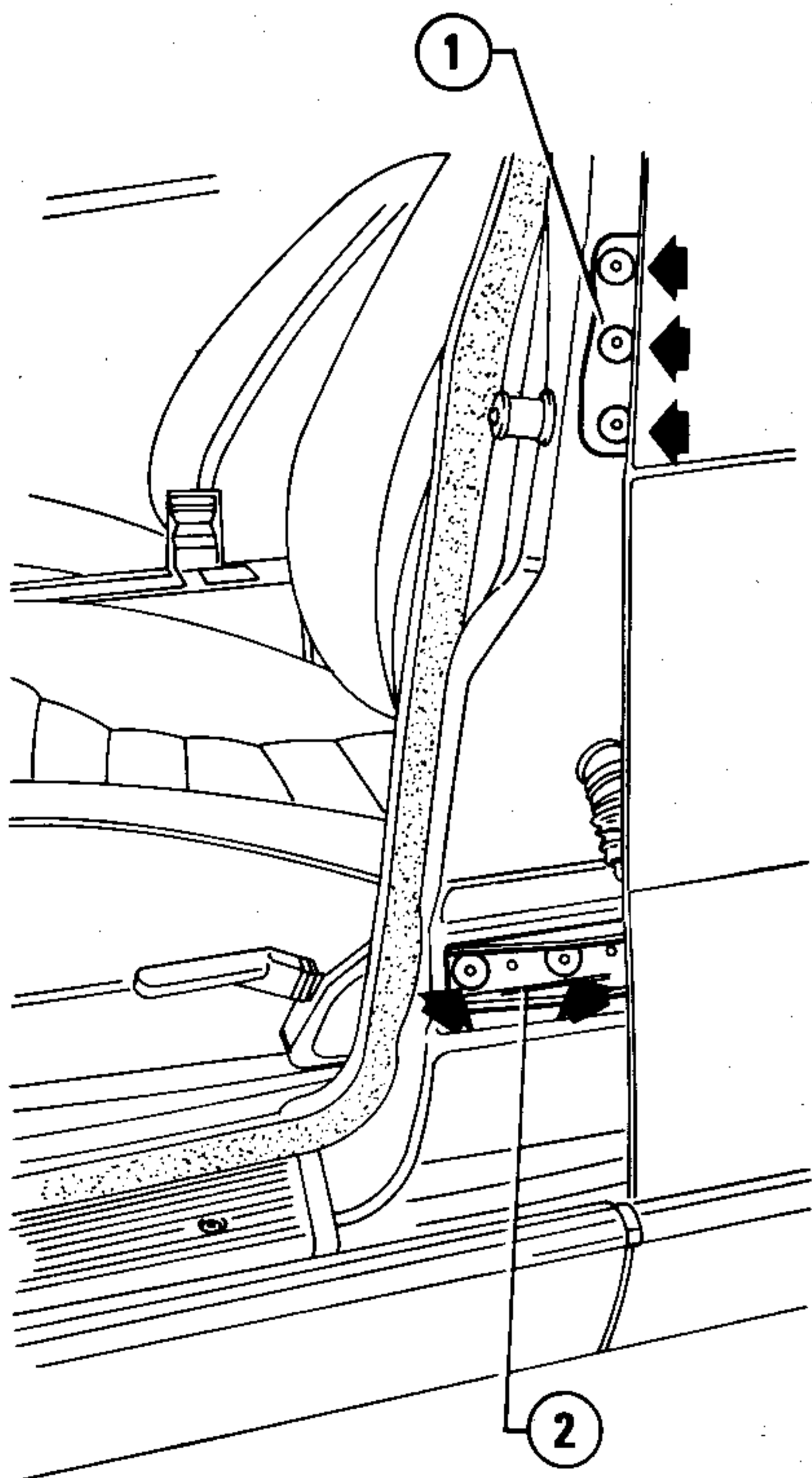
DOOR ASSEMBLY

REMOVAL AND INSTALLATION

1. Open the front door.
2. For the vehicles equipped with power window devices, disconnect wiring.
3. Extract lower hinge plastic protection.
4. One of the two procedures given below can be followed as an alternative, according whether interventions involve door removal.

— Procedure 1

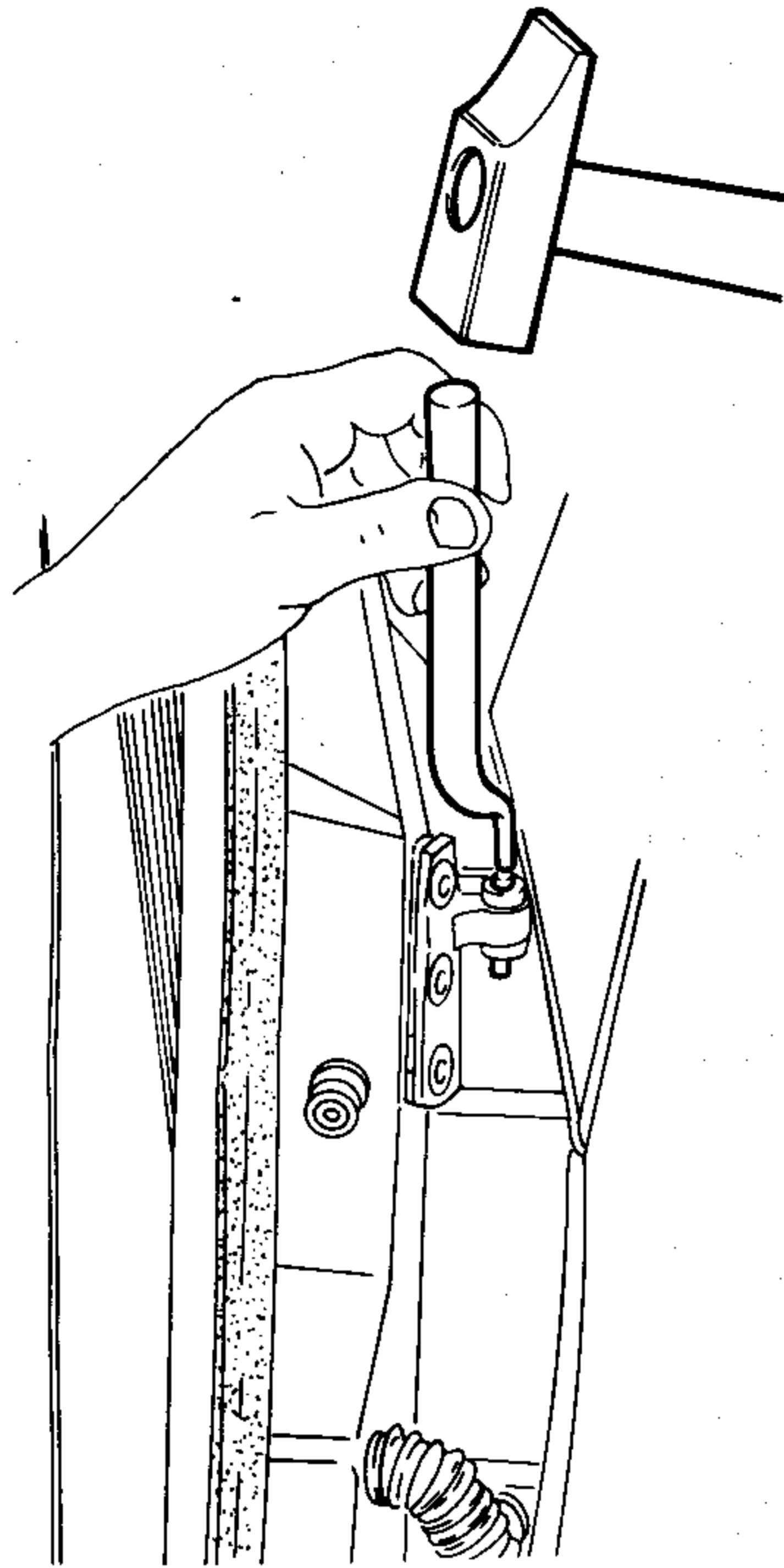
Unscrew the five screws securing hinges ① and ② to body; remove door.



- 1 Upper hinge
- 2 Lower hinge

— Procedure 2

Remove the caps containing the grease, from the pins connecting hinges. By means of the appropriate tool, withdraw pins and remove door.



5. Carry out installation by reversing the order of removal, verifying that door is correctly housed into its seat.

If required, correct its position by varying the shims underneath hinges.

6. Tighten the screws securing hinges to the prescribed torque.

ⓧ : Tightening torque

Screws securing hinges to body
 32.8 to 53 N·m
 (3.3 to 5.4 kg·m
 23.9 to 39 ft·lb)

CAUTION:

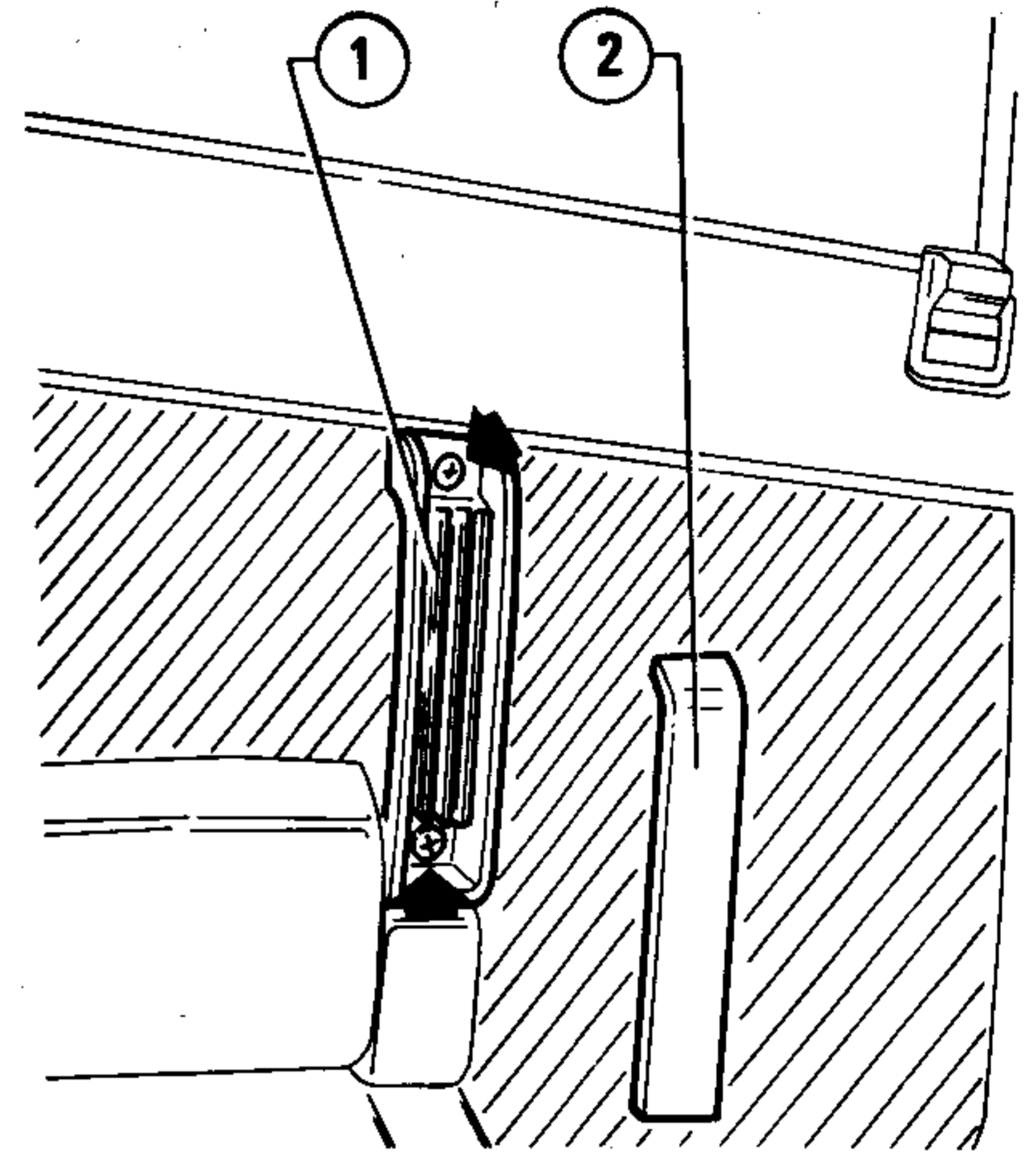
Lubricate the pins connecting hinges using the appropriate grease. Push into place the special caps containing grease.

INTERNAL FINISHING PANEL

To remove the plastic rivets, cover the tool tip to prevent damaging body.

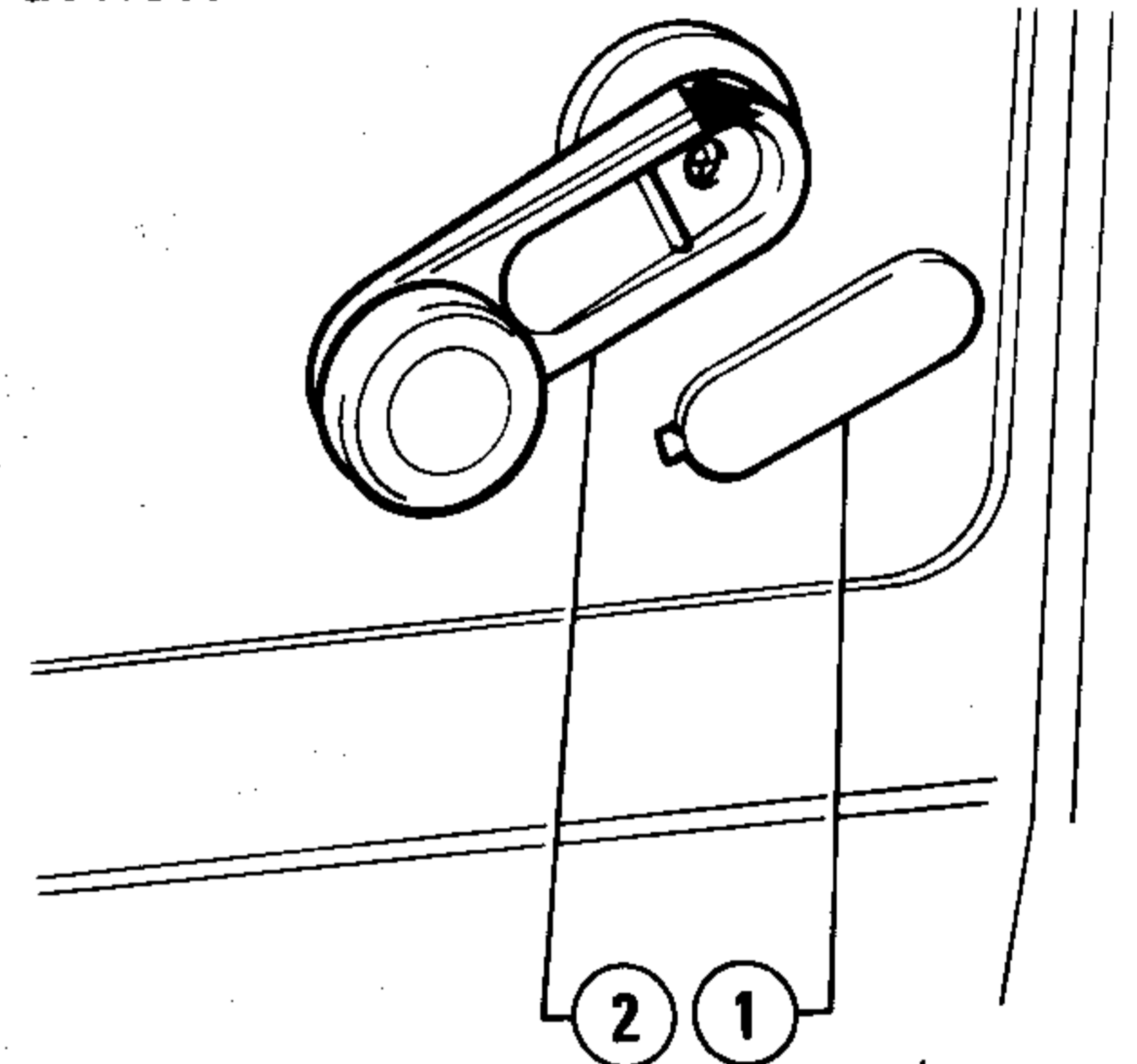
REMOVAL AND INSTALLATION

1. Remove cover ② and unscrew the two screws securing handle ① to door.



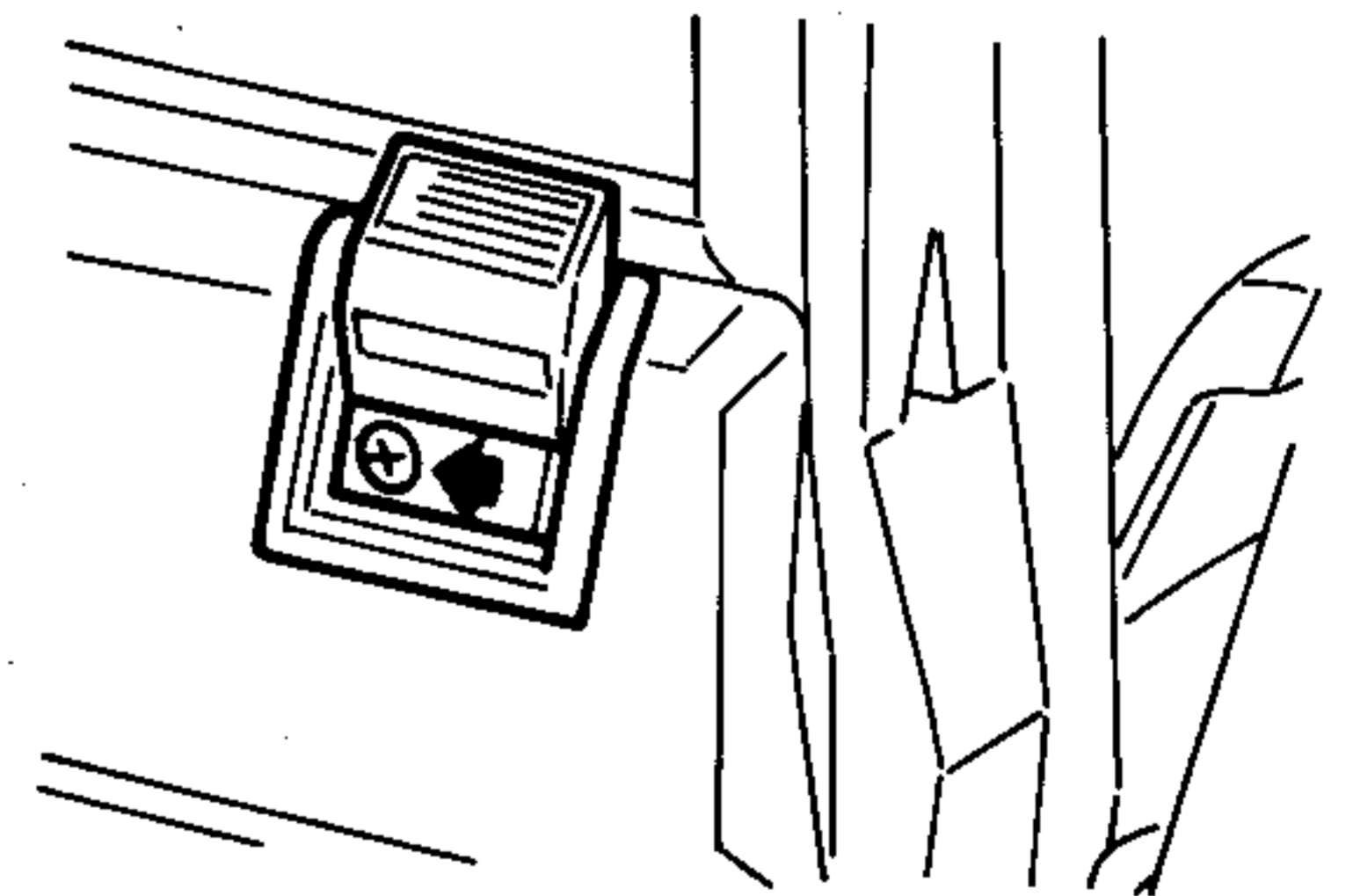
- 1 Handle
- 2 Handle cover

2. For the vehicles equipped with manual window regulating device, extract cover ①, then operating the screw shown in the figure, remove winder ② from window regulating device.



- 1 Window winder cover
- 2 Winder

3. Unscrew the screw securing the door lock control and remove the control.

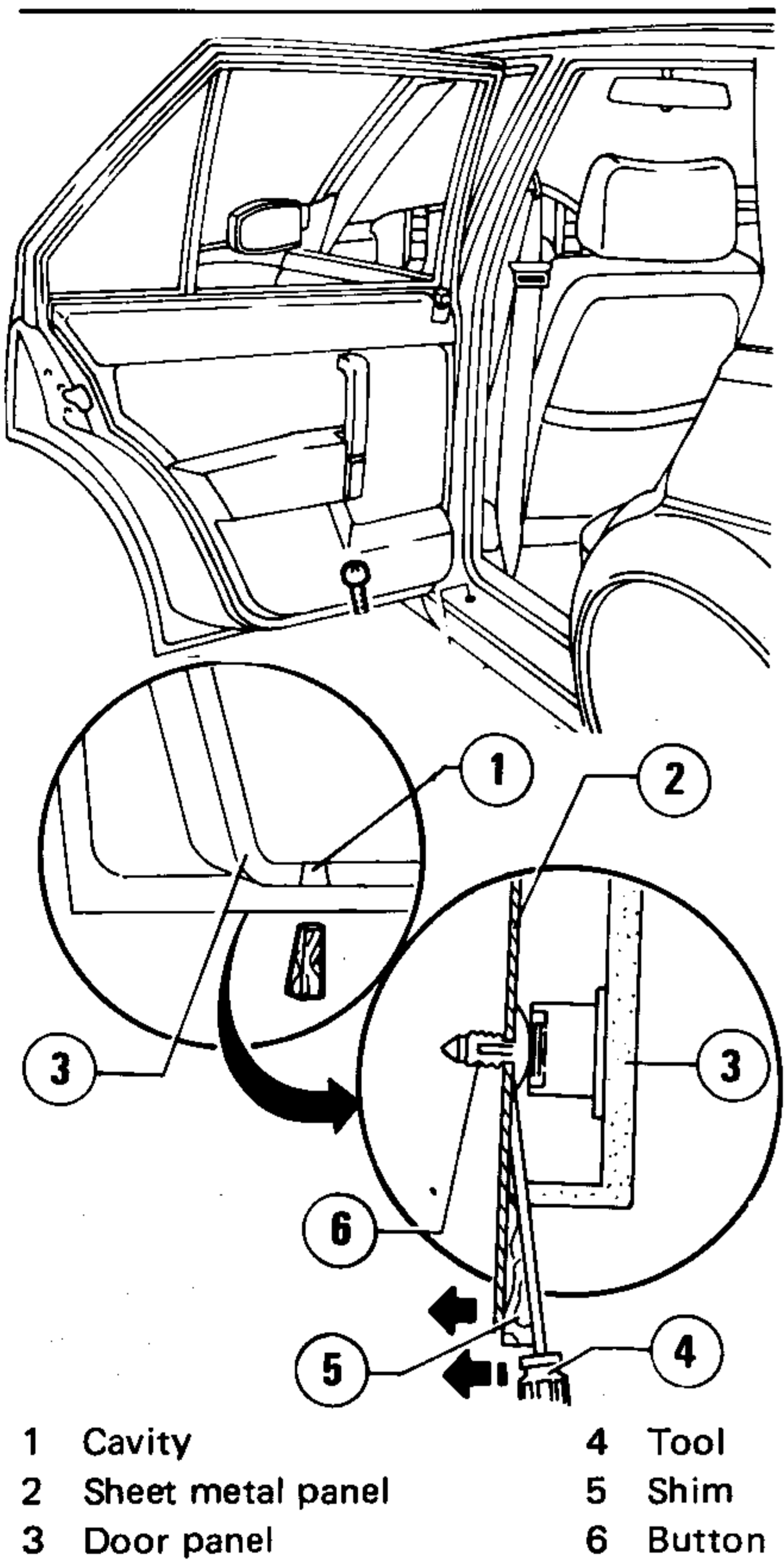


4. Using a suitable tool, extract the seven plastic rivets securing the panel to door; remove this last by pulling it upwards.

CAUTION:

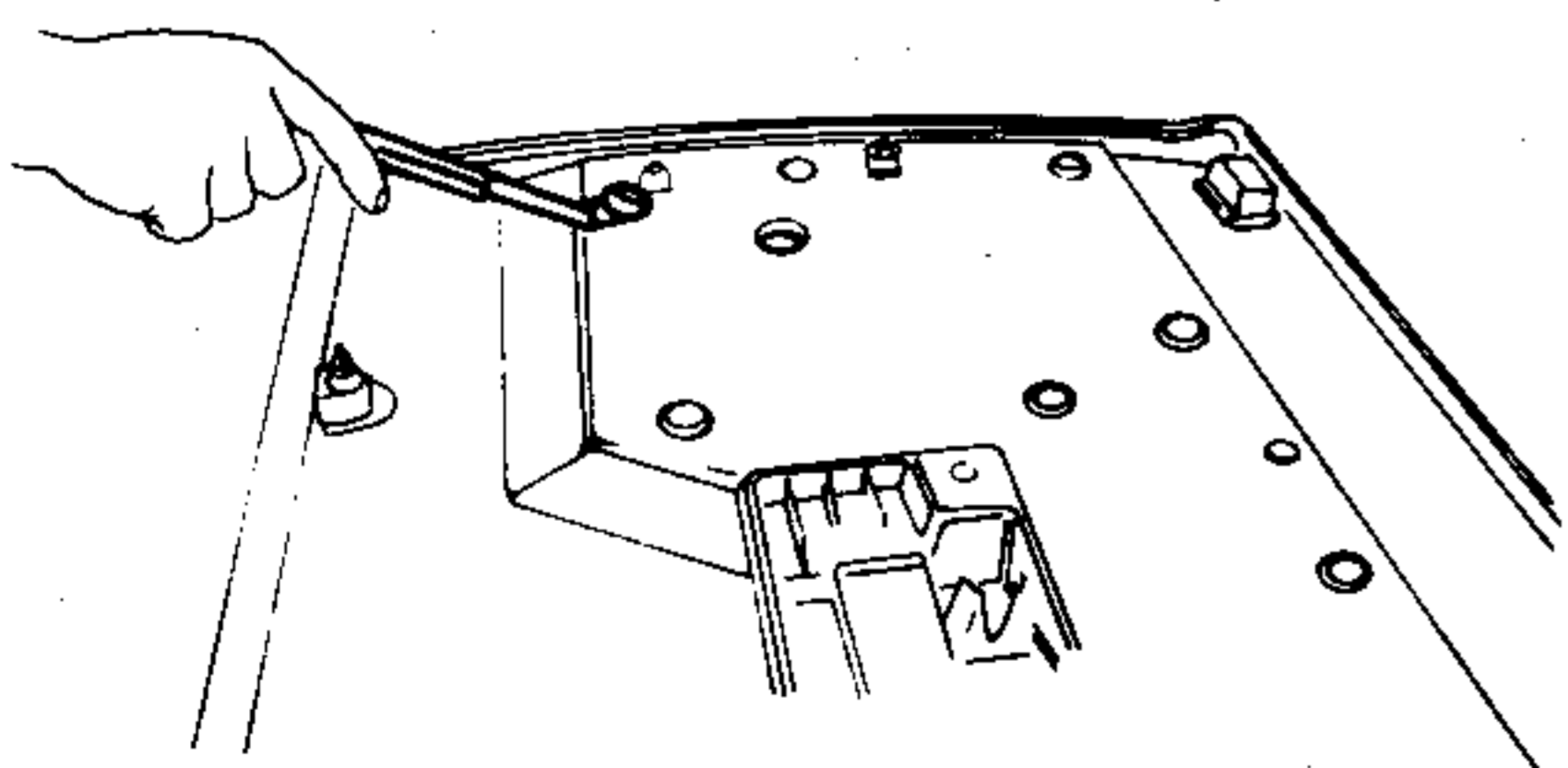
Proceed as indicated below when removing the panel.

- Insert a wooden or plastic shim between the cavity (1) on the sheet metal panel and the door panel (3).
- Push the shim towards the outside of the vehicle, and insert a suitable tool under the door panel, taking care to cover the tool with adhesive tape to avoid chipping the paint.
- Position the tool between the sheet metal panel (2) and button (6), taking care not to insert it in another position, then gradually force it towards the outside of the door.



- | | |
|---------------------|----------|
| 1 Cavity | 4 Tool |
| 2 Sheet metal panel | 5 Shim |
| 3 Door panel | 6 Button |

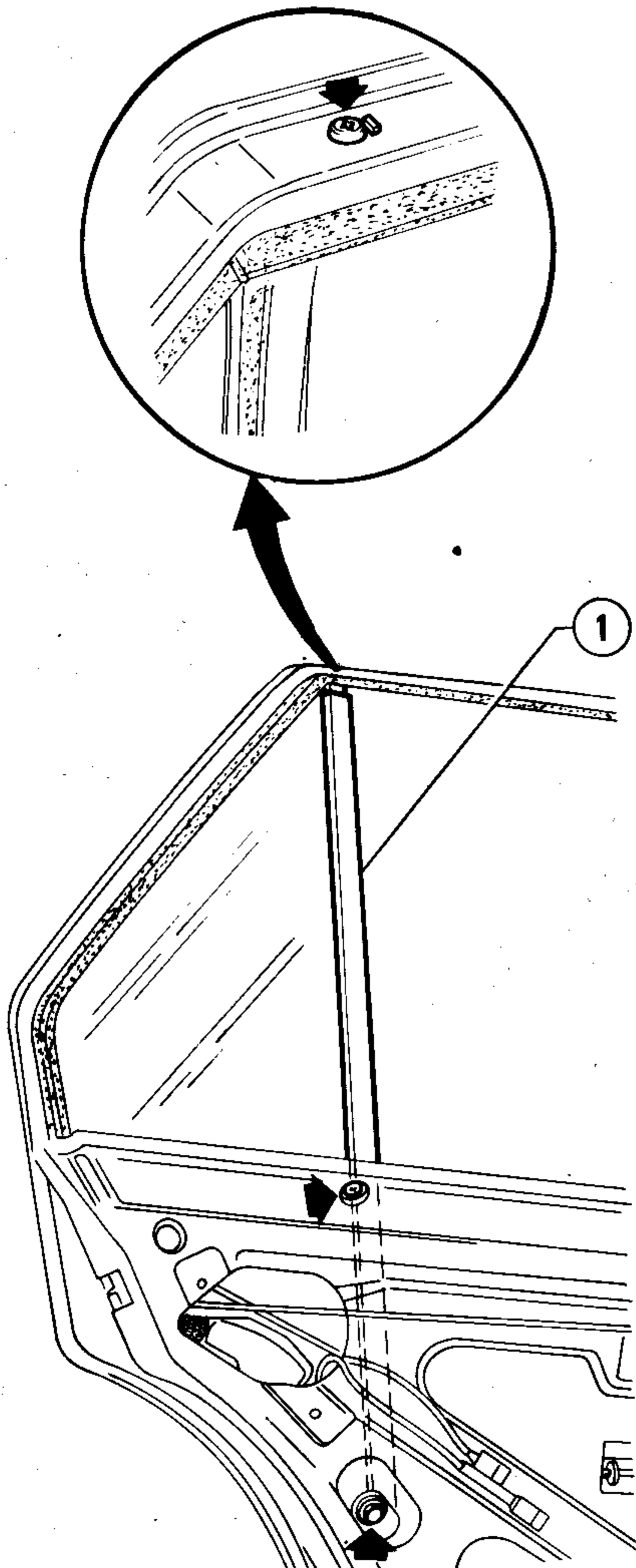
5. If required, to remove panel cover extract the twelve plastic buttons.



6. Install the panel by reversing the order of removal, verifying correct functioning of the door opening device.

FIXED WINDOW REMOVAL AND INSTALLATION

1. Remove door panel and sealing screen.
2. Lift the window completely, support it, and unscrew the two nuts securing it to window regulating device. Lower the window until resting it on door lower side.
3. Unscrew the three screws securing guide (1) to door. Recover spacer of lower screw.



1 Fixed window guide

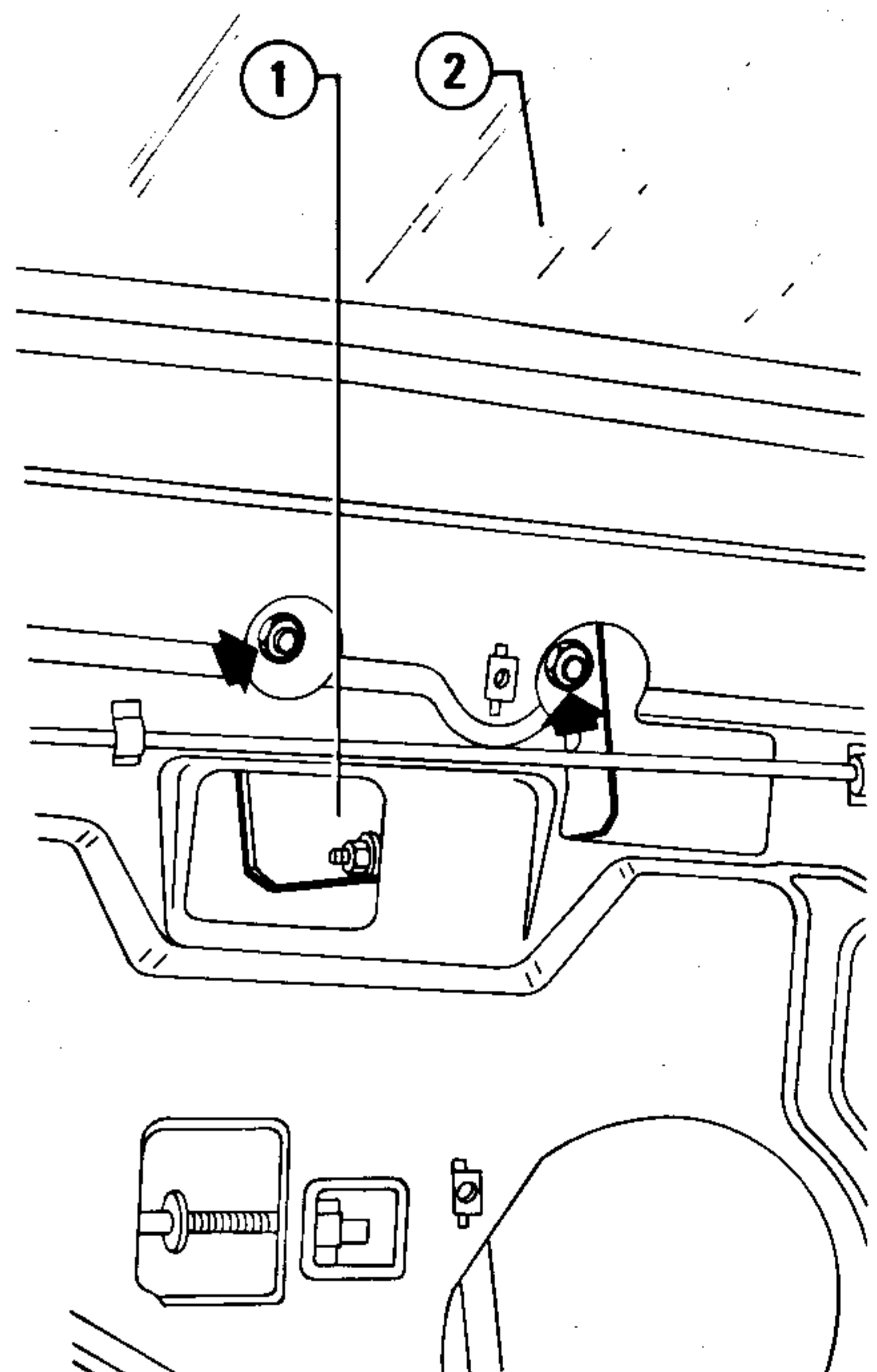
4. Remove the fixed window together with the fixed window guide.
5. Install the fixed window by reversing the order of removal.

CAUTION:

Before securing the fixed window guide to door, verify that the movable window is correctly inserted in the related guide.

WINDOW REGULATING DEVICE AND WINDOW REMOVAL AND INSTALLATION

1. Remove door panel and sealing screen.
2. Lift window completely, and unscrew the two nuts securing window (2) to window regulating device (1). Support window suitably.

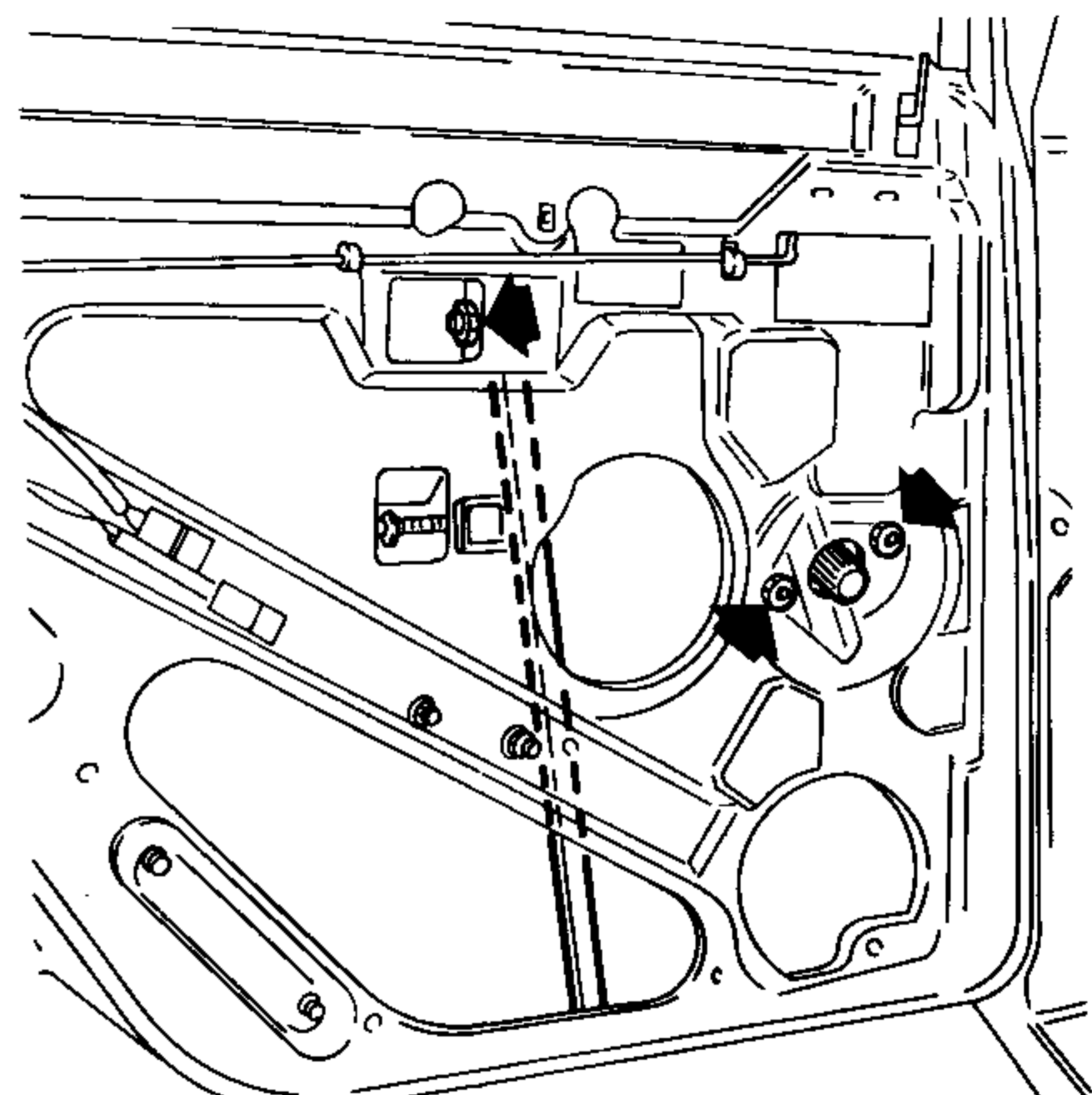


- | |
|----------------------------|
| 1 Window regulating device |
| 2 Window |

3. Remove the window regulating device.

3a. Models with manual window regulating device

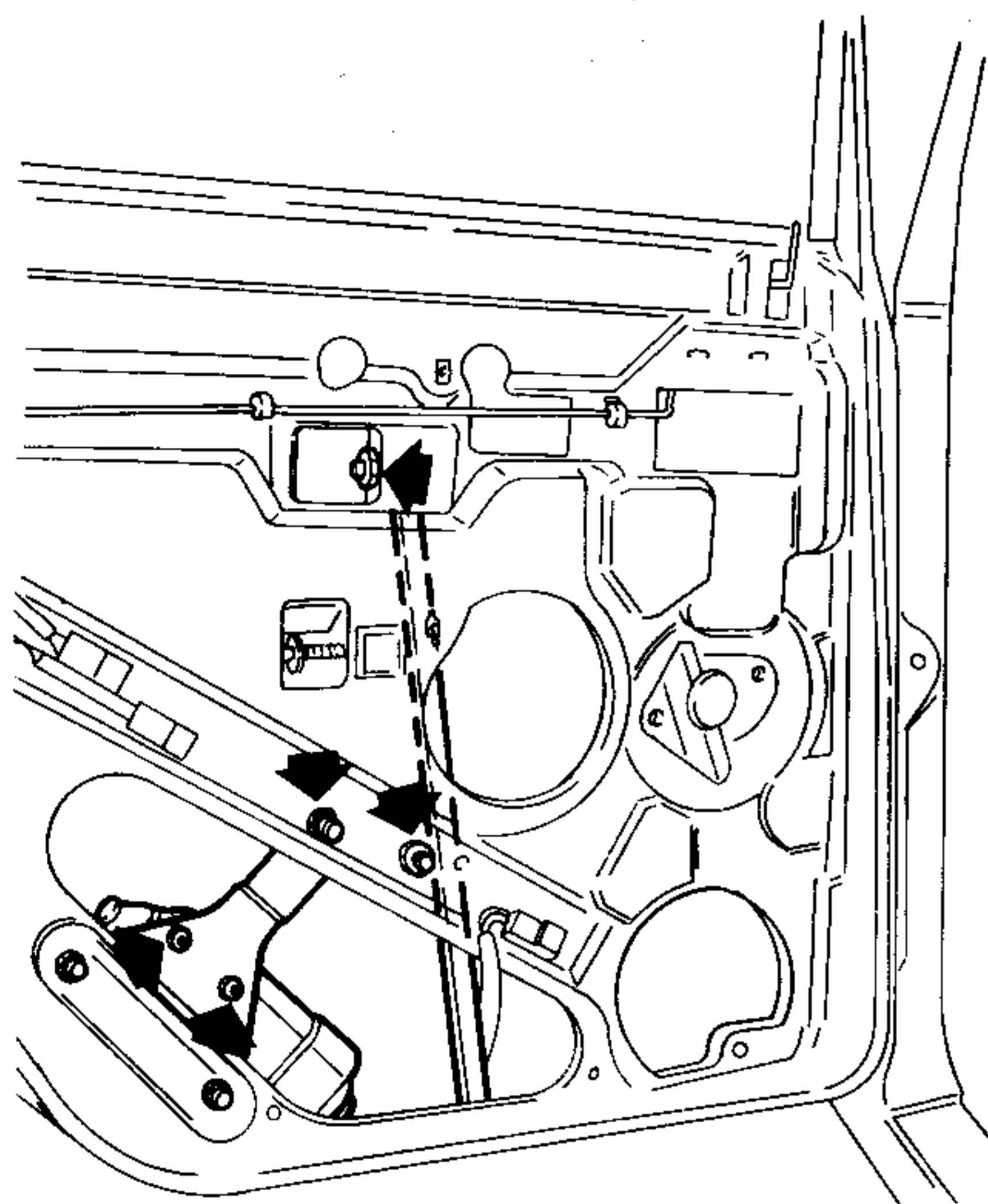
Unscrew the three nuts securing the window regulating device to door, and remove it from below.



DOORS

3b. Models with power window device

Disconnect motor wiring, and unscrew the five nuts securing the power window device to door, and remove it from below.



4. Lower the window. Remove both fixed window guide and fixed window.

5. Remove the window.

6. Install both window and window regulating device, by reversing the order of removal.

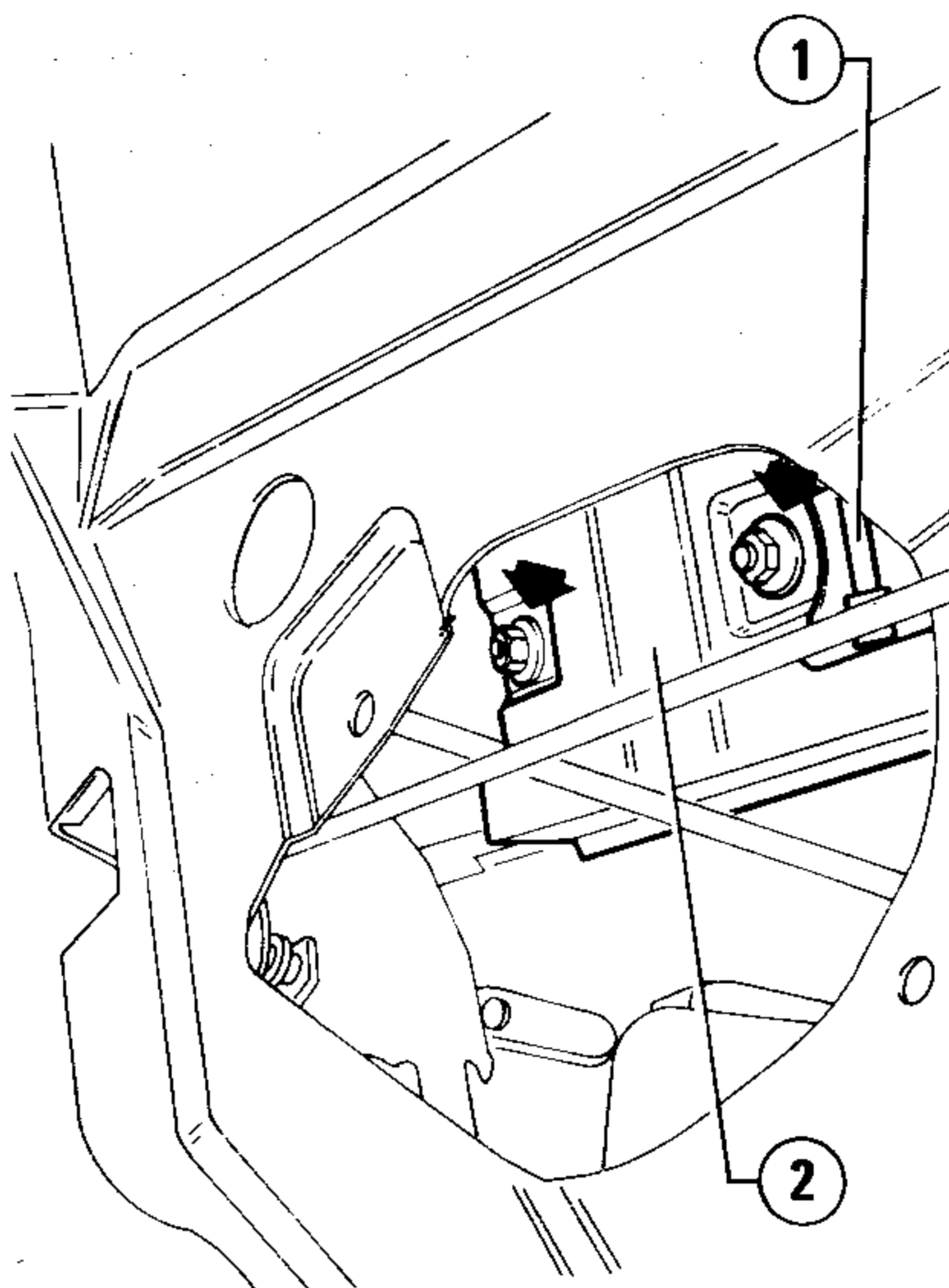
CAUTION:

Before securing the fixed window guide to door, verify that the movable window is correctly inserted in the related guides.

HANDLE

REMOVAL AND INSTALLATION

1. Remove door panel.
2. Move the sealing screen, and unscrew the two nuts securing handle (1) to door; remove handle together with protective sheet (2).



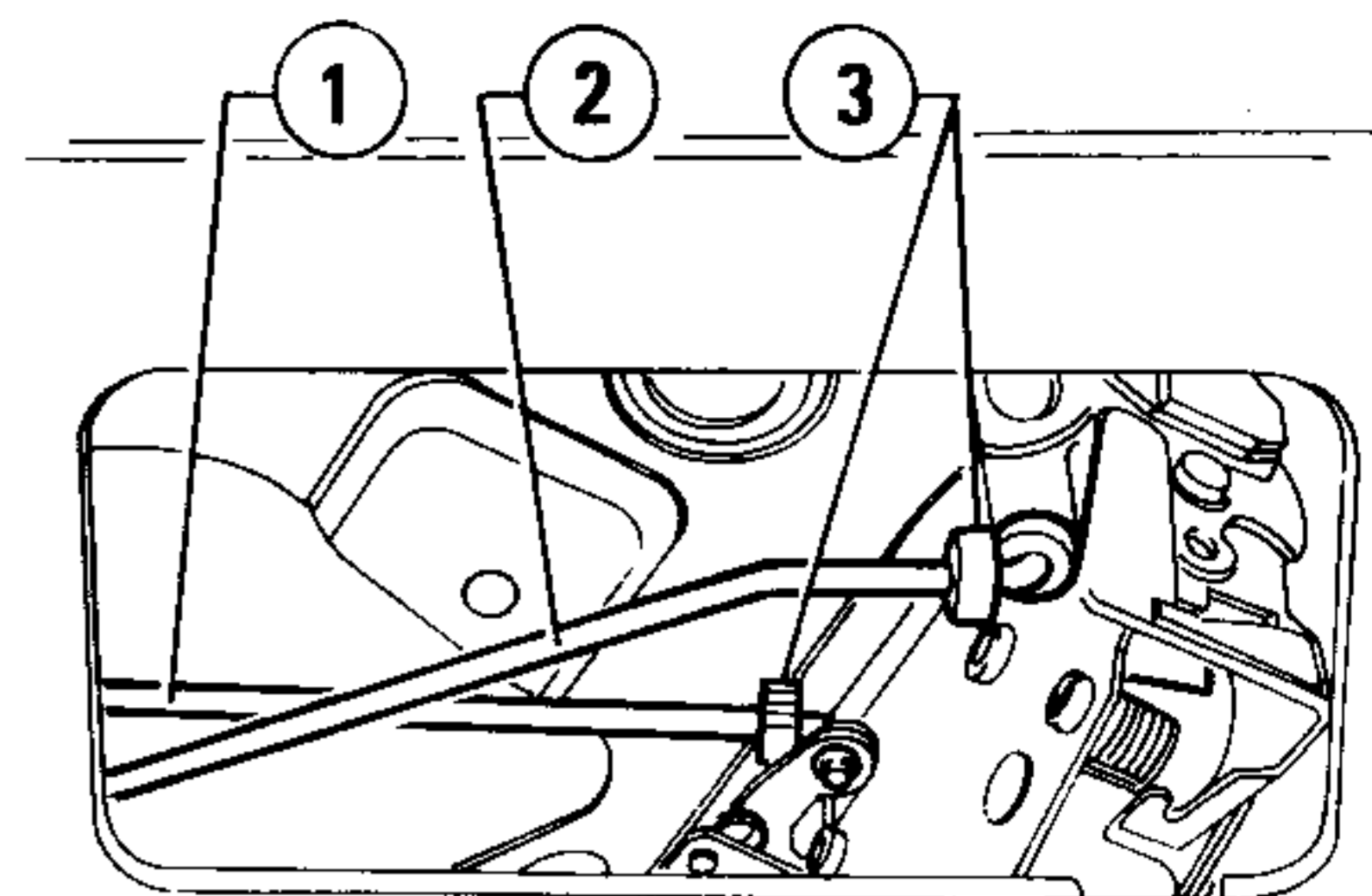
- 1 Handle
- 2 Handle protective sheet

3. Install handle by reversing the order of removal.

DOOR LOCK

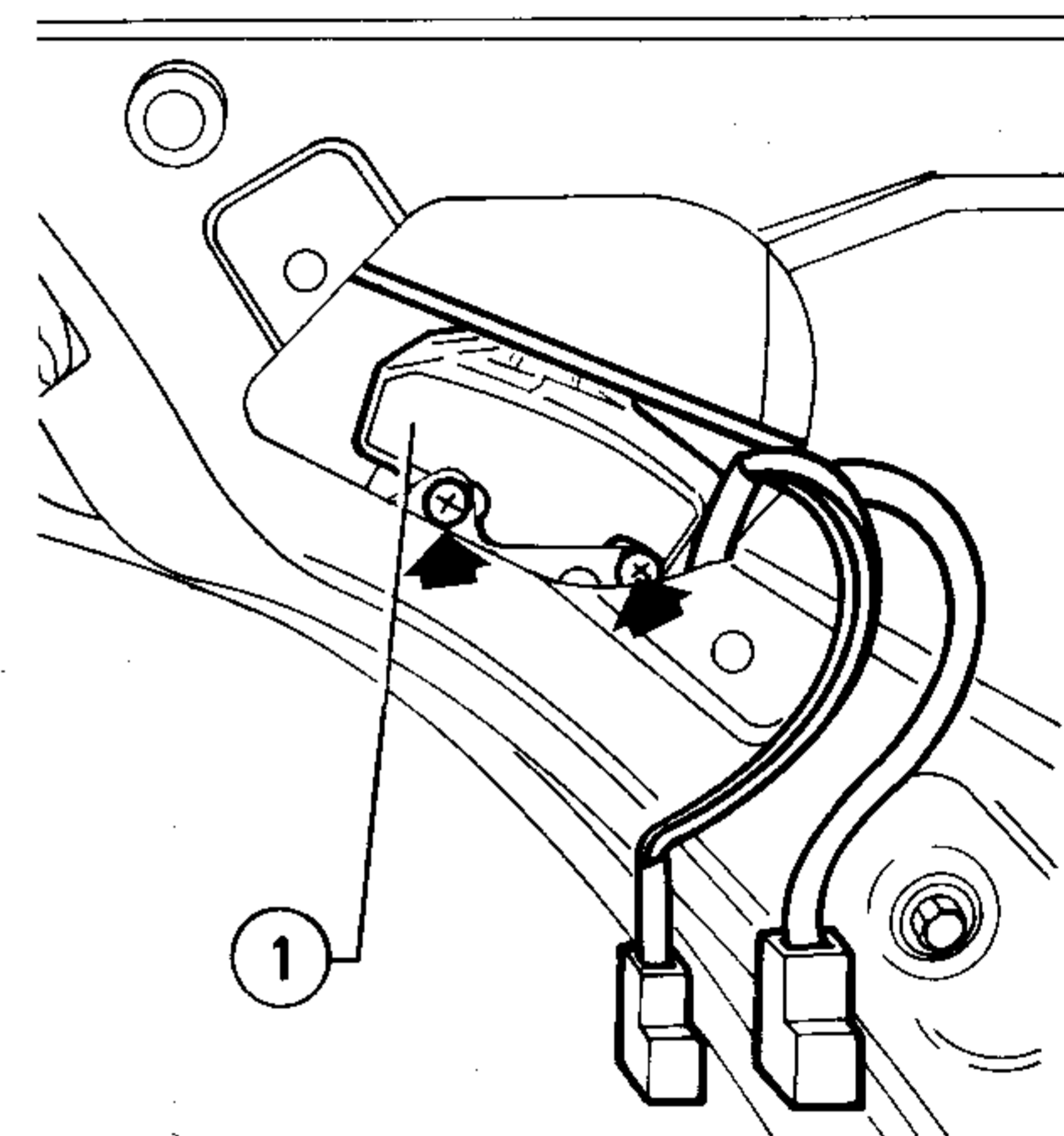
REMOVAL AND INSTALLATION

1. Remove door panel and sealing screen.
2. Lift window completely.
3. Disconnect wiring of both electric door lock device and lock.
4. Remove handle.
5. Operating from door outside, release safety catches (3) and disconnect rods (1) and (2) from hinge.



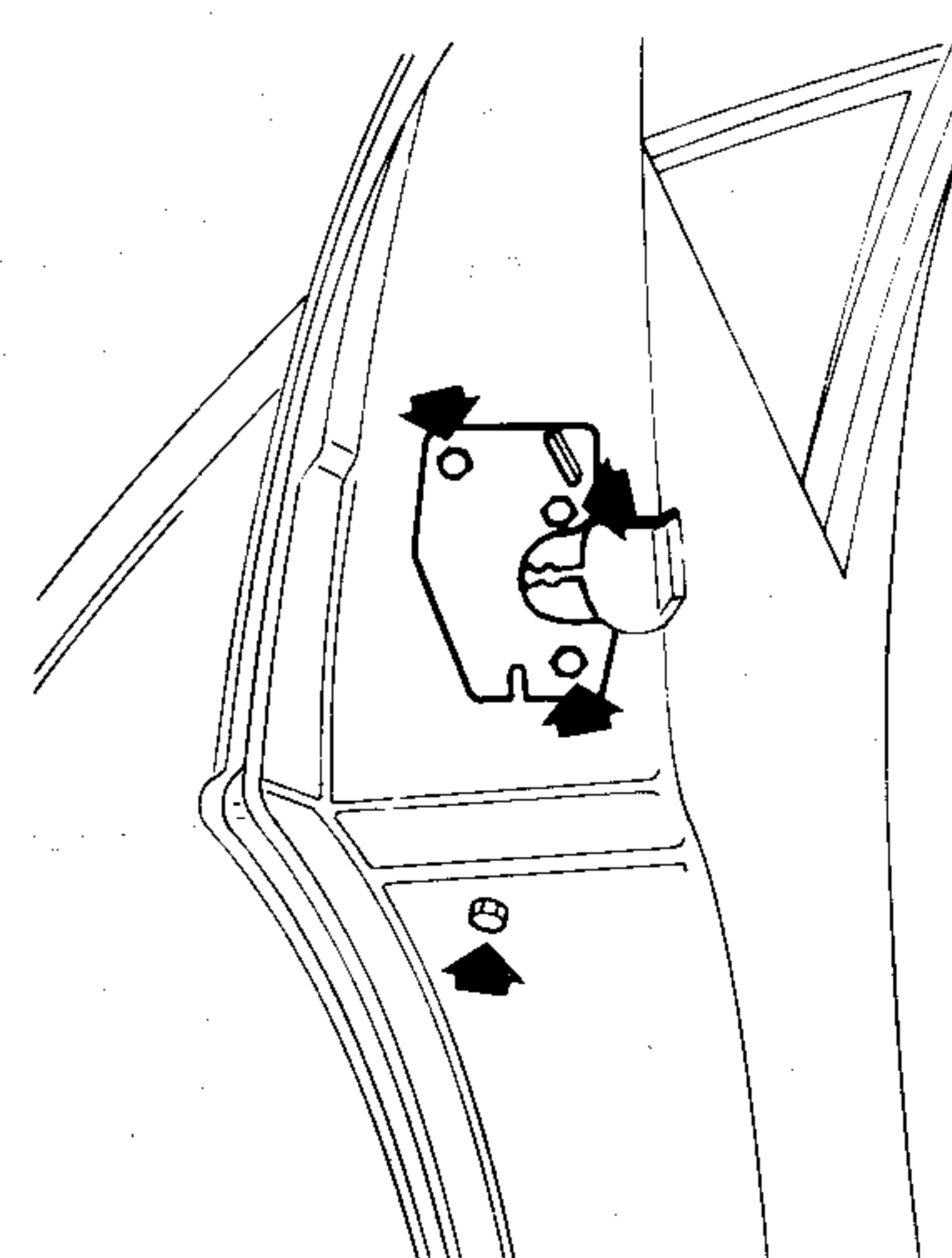
- 1 Door lock control rod
- 2 Door opening control rod
- 3 Safety catches

6. Unscrew the two screws securing device (1), release it from hinge, and remove it.



- 1 Electric door lock device

7. Unscrew the four screws securing hinge to door; remove hinge together with block.

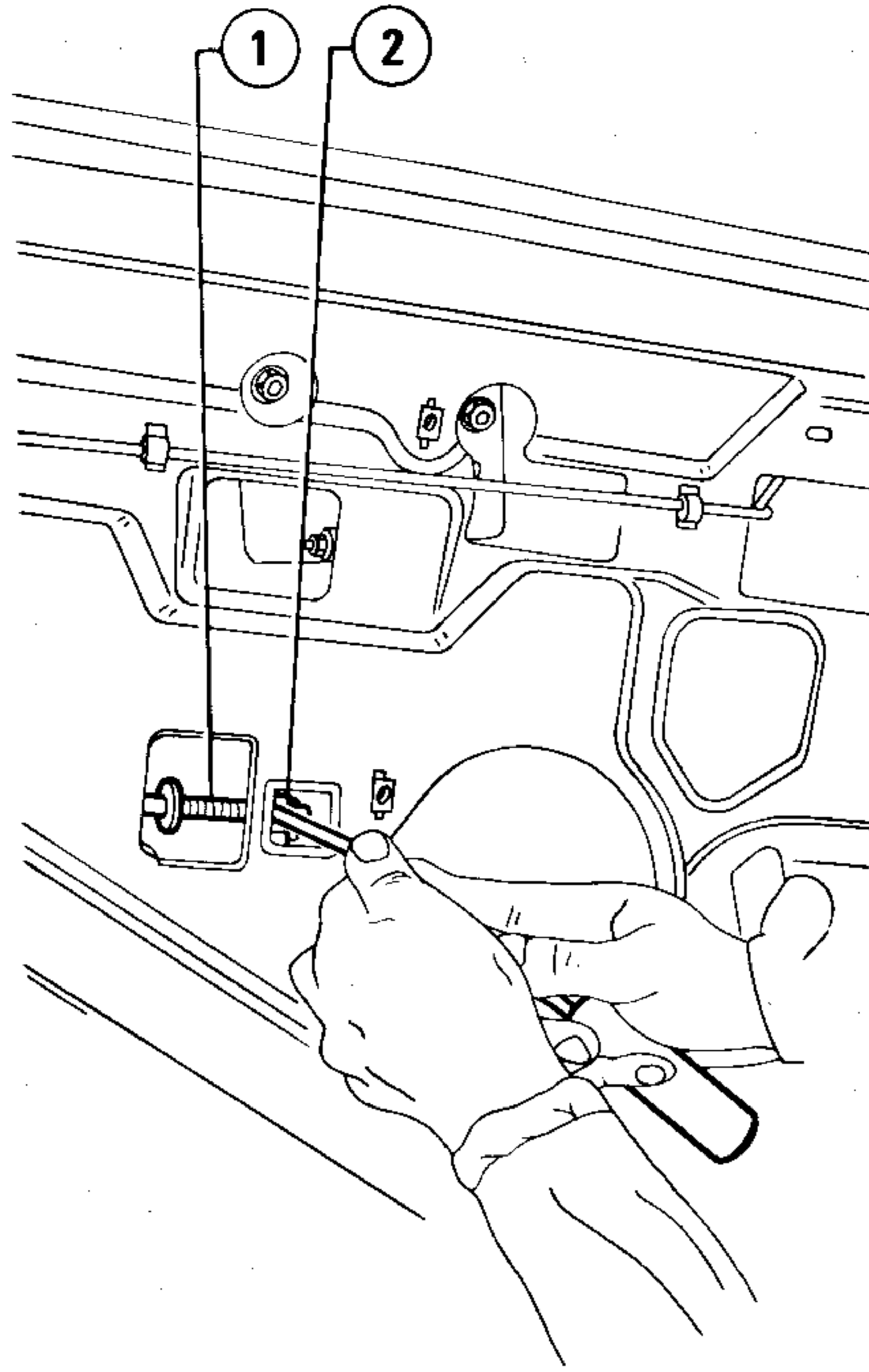


DOORS

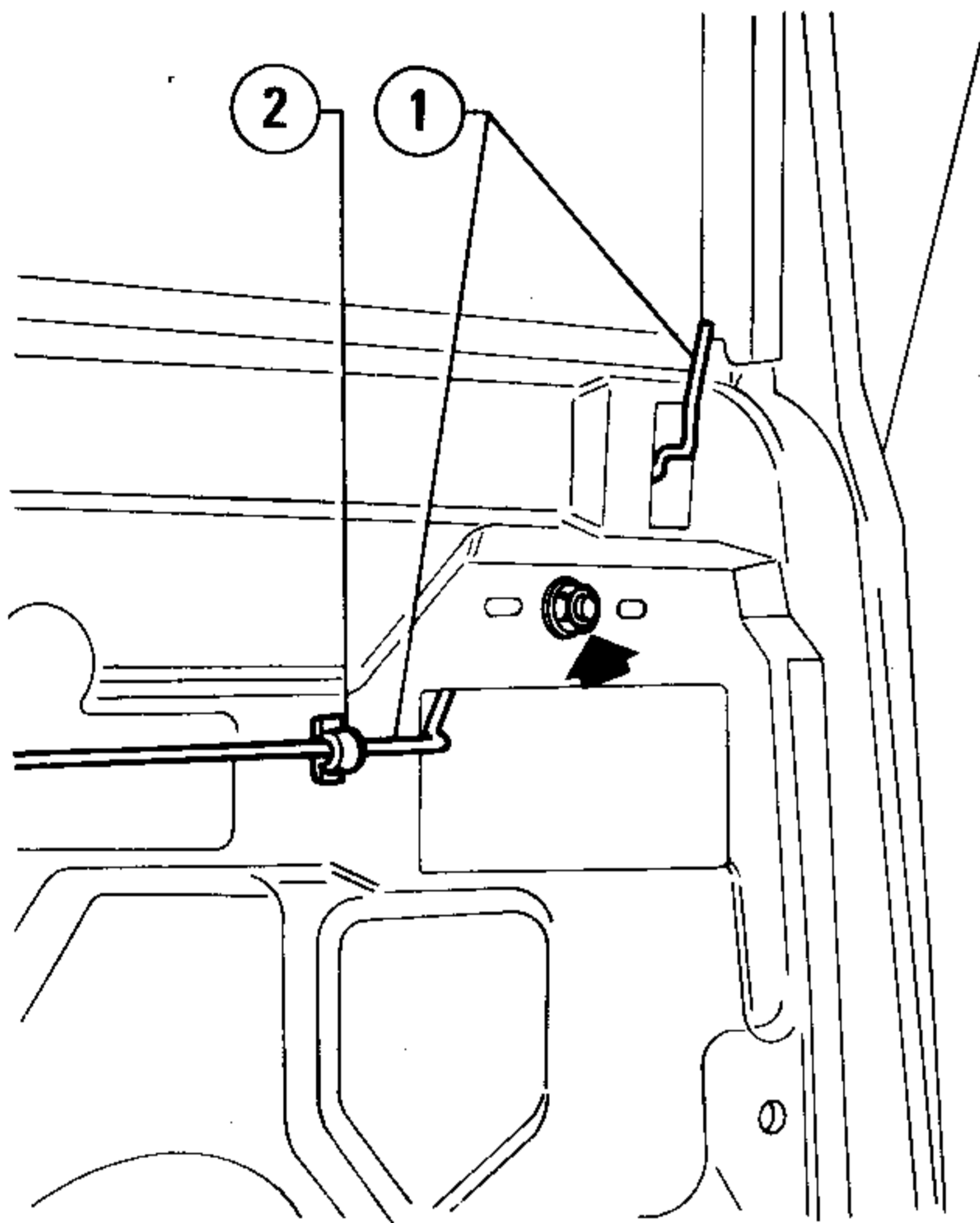
8. Block can be separated from hinge by unscrewing the two screws connecting them.

9. If required, remove the intermediate rods from door, by operating as follows.

a. Unscrew the nut securing rod ① to door. Remove rod by withdrawing it from plastic circlip ②.



1 Door opening control rod
2 Plastic circlip

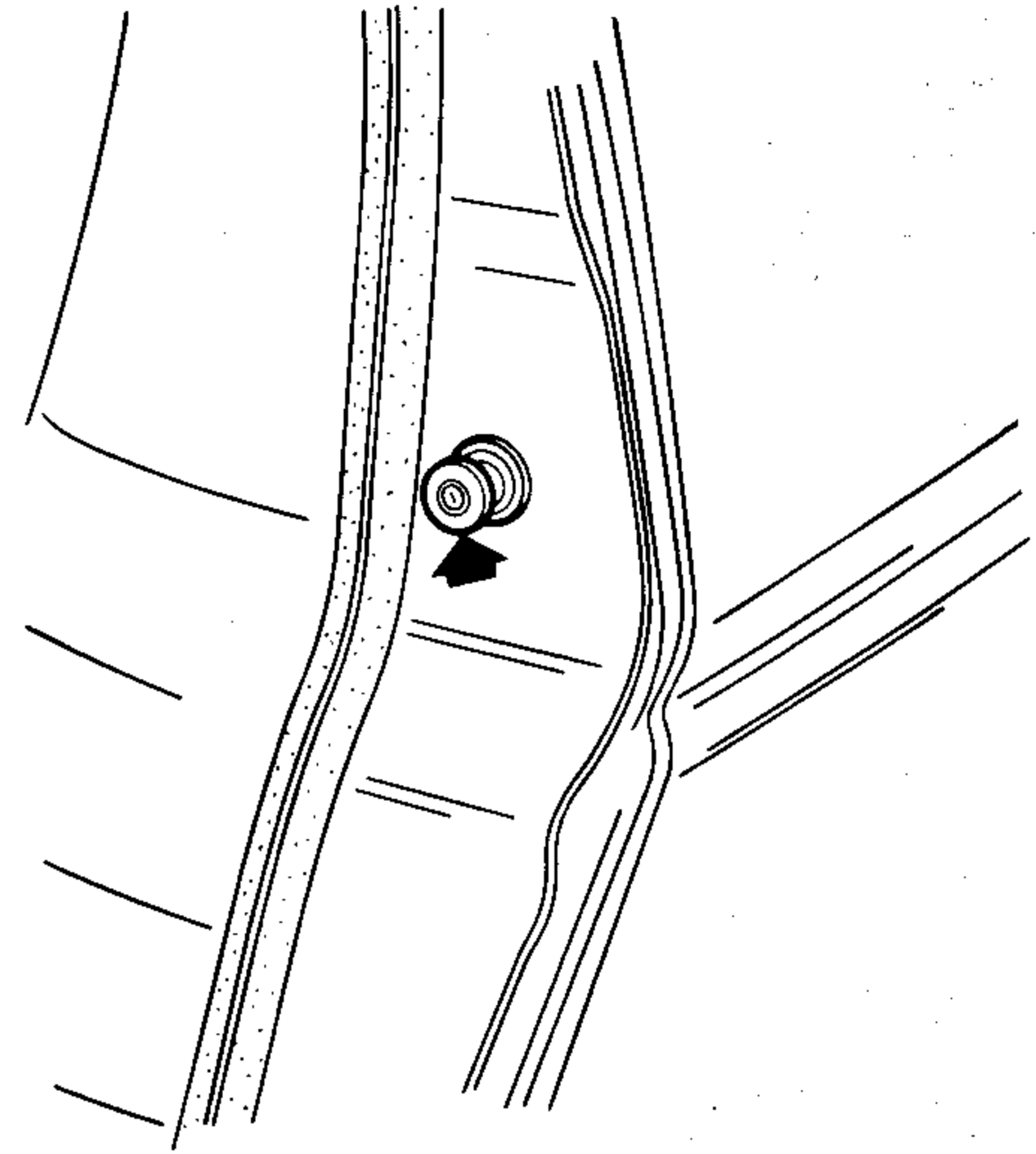


1 Door lock control rod
2 Plastic circlip

b. By means of a screwdriver, detach circlip ② from door and remove rod ①.

10. Install the door lock by reversing the order of removal.

11. Check correct functioning of door opening control. If required, loosen the screw securing lock striker, and move it until obtaining perfect closing.



CAUTION:

Lubricate the door locking device using appropriate grease.

SEALS

REMOVAL AND INSTALLATION

Remove external moldings, both inner and outer weatherstrips, door under-trim and window flock seal with inner molding, operating as described in "Seals" of front doors, taking care to remove the fixed window guide and fixed window before removing the window flock seal.

SERVICE DATA AND SPECIFICATIONS

TIGHTENING TORQUES

Item	Unit of measurement	N·m	kg·m	ft·lb
FRONT DOORS				
Screws securing hinges to body		32.8 to 53	3.3 to 5.4	23.9 to 39
REAR DOORS				
Screws securing hinges to body		32.8 to 53	3.3 to 5.4	23.9 to 39